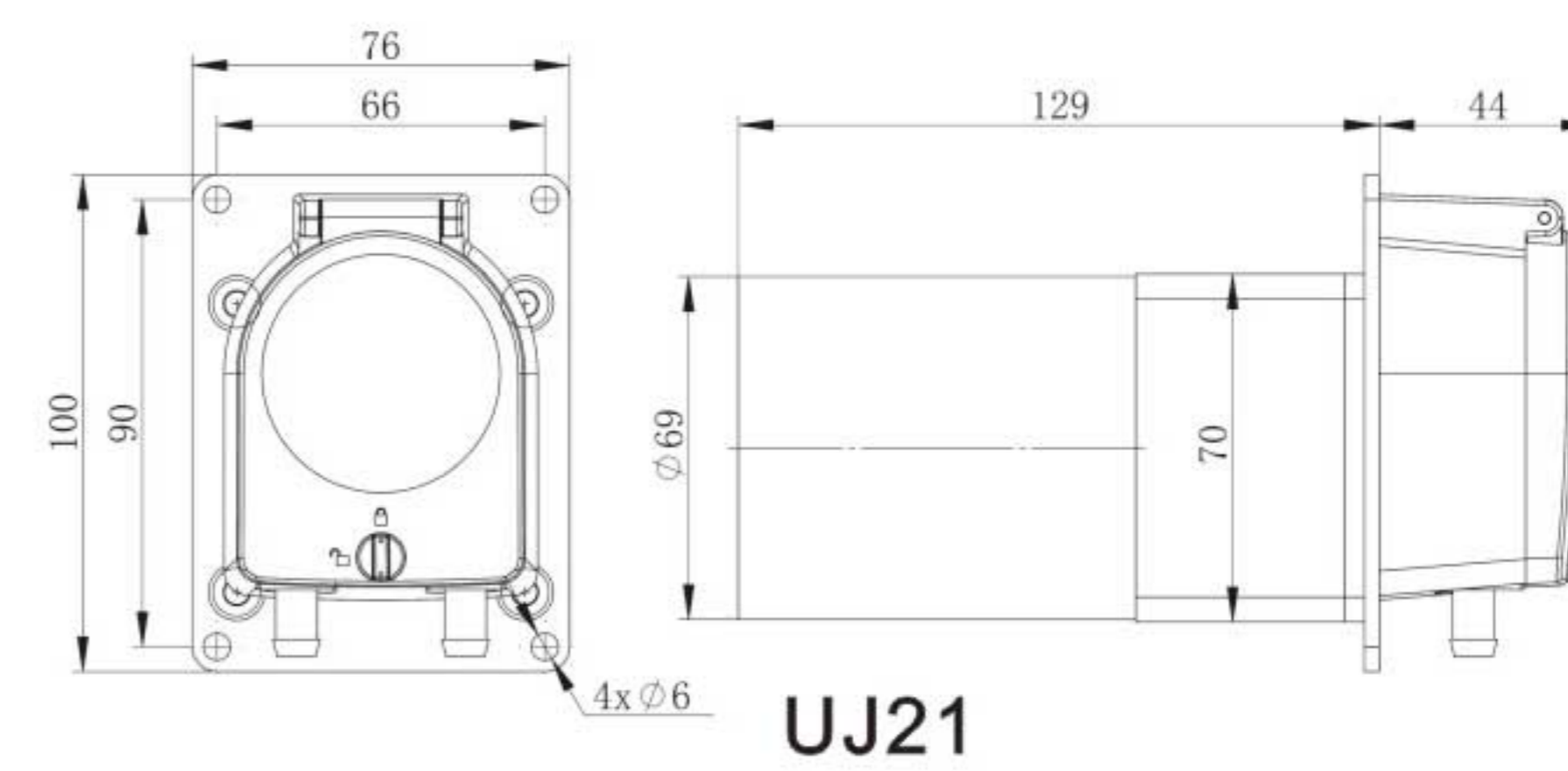
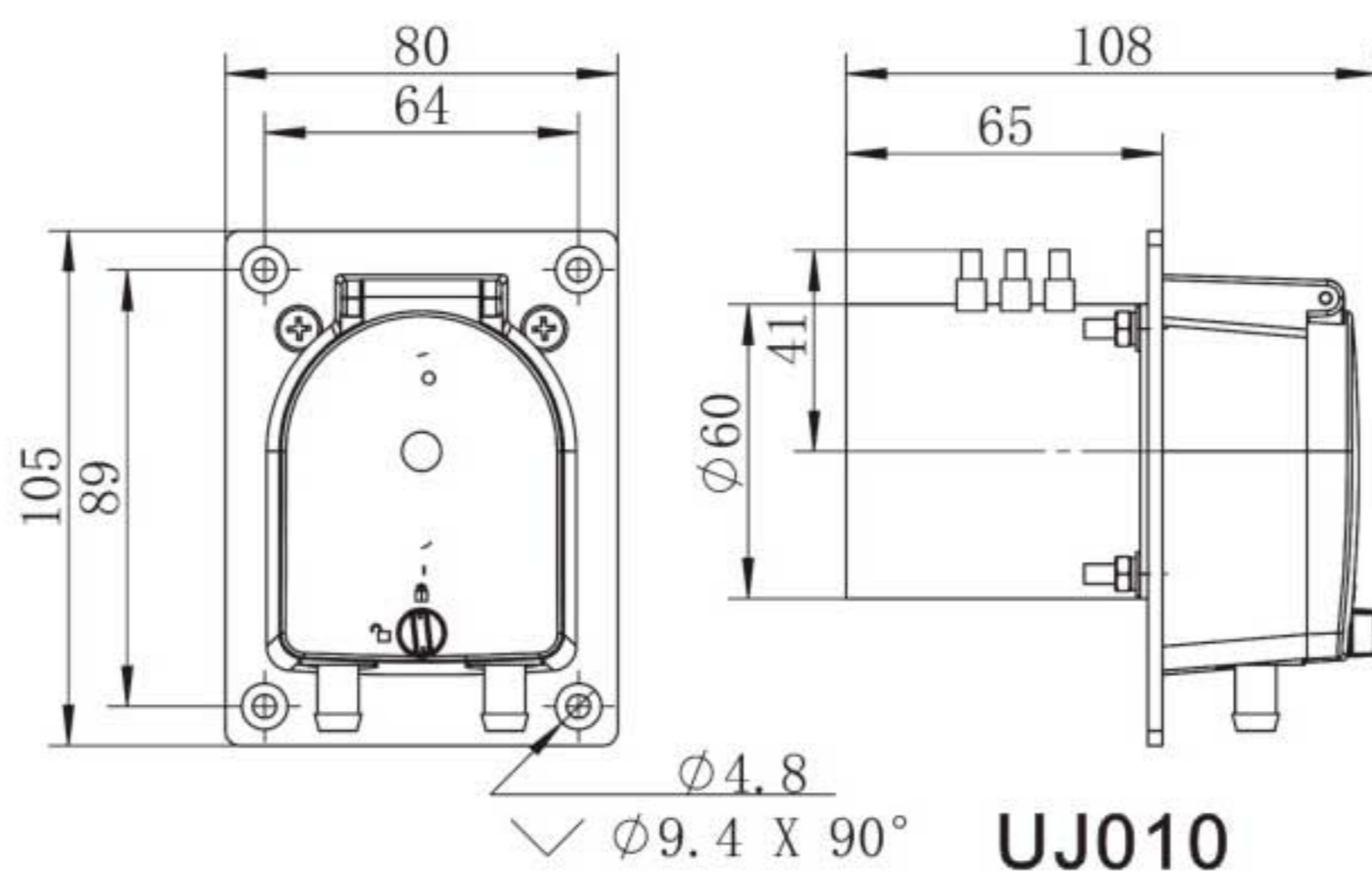


Compact Pump Head

OEM-UJ Series

Dimension Drawing(Unit: mm)



Model No.	Motor Type	Power Supply	Motor Speed (rpm±10%)	Flow Rate (mL/min)
OEM-UJ010	AC motor	AC220V	80	≤212
OEM-UJ21	Φ70 ACmotor	AC220V	350	≤930

Experimental conditions: standard atmospheric pressure, room temperature at 20°C, the liquid is pure water, no pressure, no suction and lift.
 Note: Actually, it is affected by many factors such as transmission medium, inlet and outlet pressure, hose material and error, working environment, etc. This data is for reference only.

Model No.	Housing Material		Tubing		Speed Range(rpm)	Flow Rate (mL/min)	Weight (kg)
	Body	Protective cover	Tubing Sizes	ID×Wall Thickness			
UD15 (2 rollers)	PSF	Transparent PC	16#	3.1×1.6(mm)	0.1~350	0.08~280	0.12
			25#	4.8×1.6(mm)		0.16~580	
			17#	6.4×1.6(mm)		0.26~930	

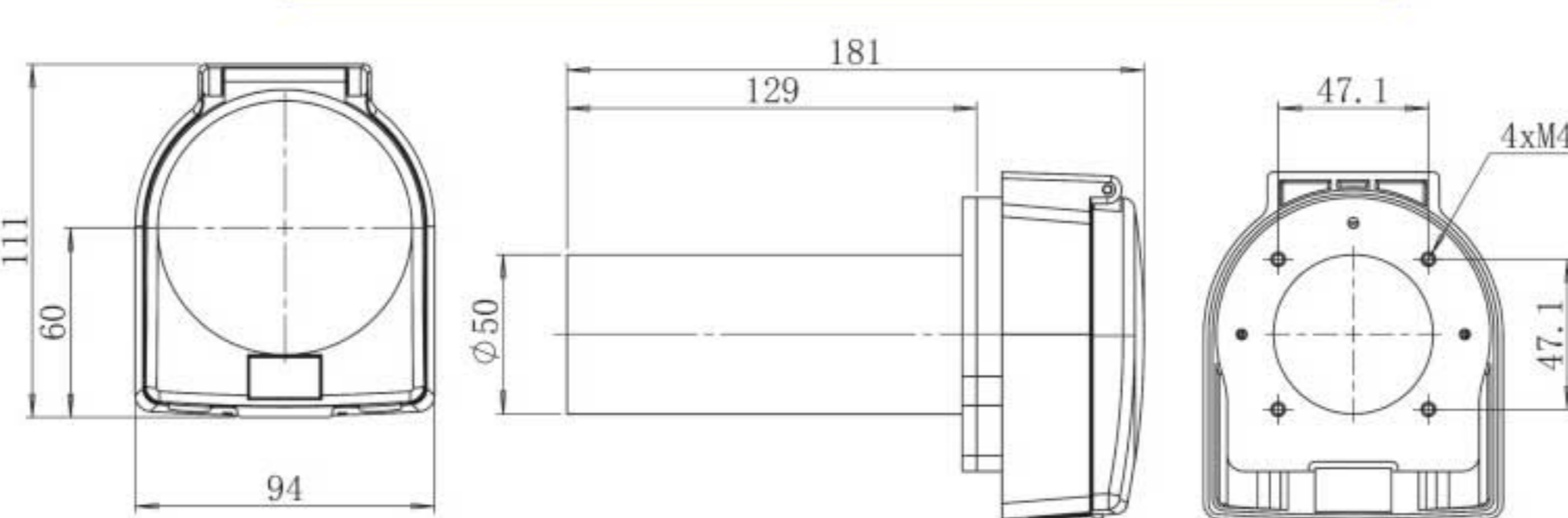
Compact Pump Head

Product Introduction

UC25, compact pump head, functional design, more practical. Transparent protective cover, can observe the working situation anytime; uncover signal output, stop working when uncover to ensure safety; running smoothly, low noise; support DC motor, brushless DC motor, stepper motor, servo motor and AC motor.

(2 rollers) OEM-UCXZ Series

Dimension Drawing(Unit: mm)

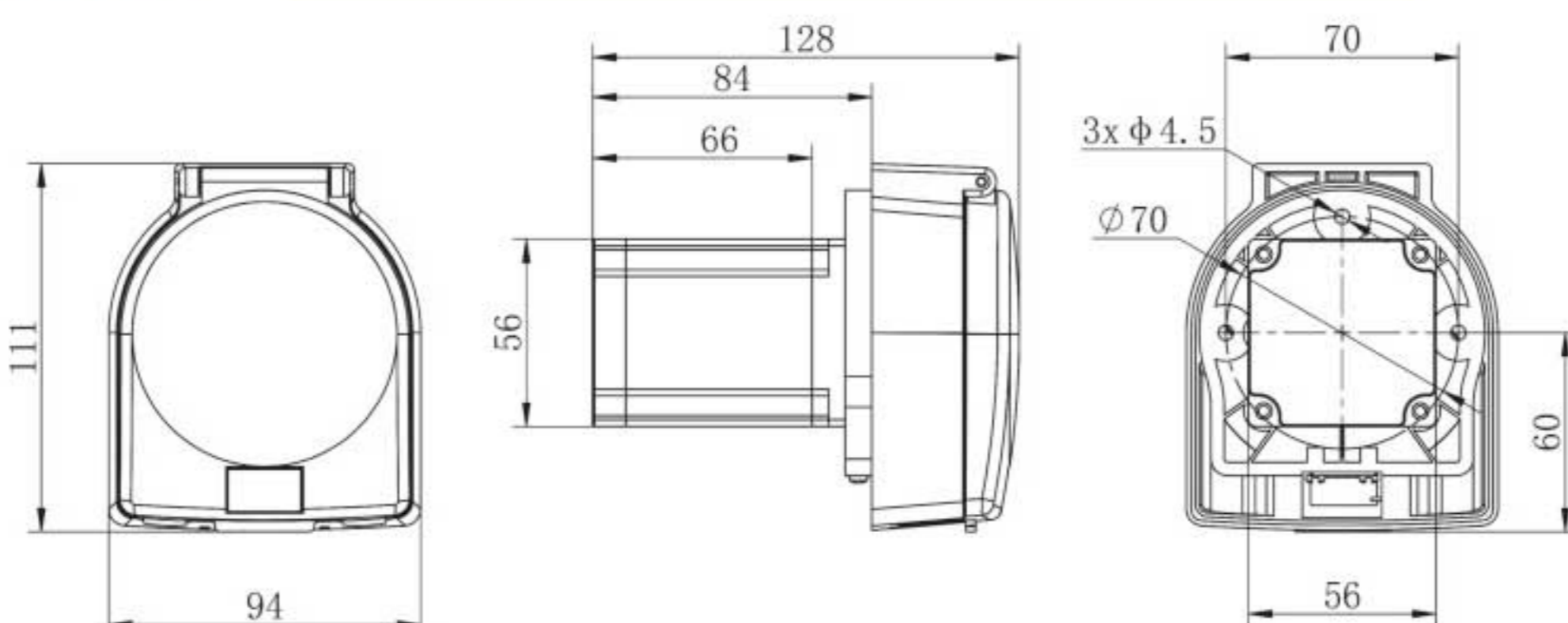


DC motor Technical Specifications

Model No.	UCXZ00X series, UCXZ10X series, UCXZ20X series, UCXZ30X series
Motor type	Brush/Brushless DC planetary gear motor
Voltage	DC12V/DC24V
Speed(rpm)	300
Speed error	≤ ± 10%
Working environment	0-40°C, 80%RH

OEM-B236

Dimension Drawing(Unit: mm)

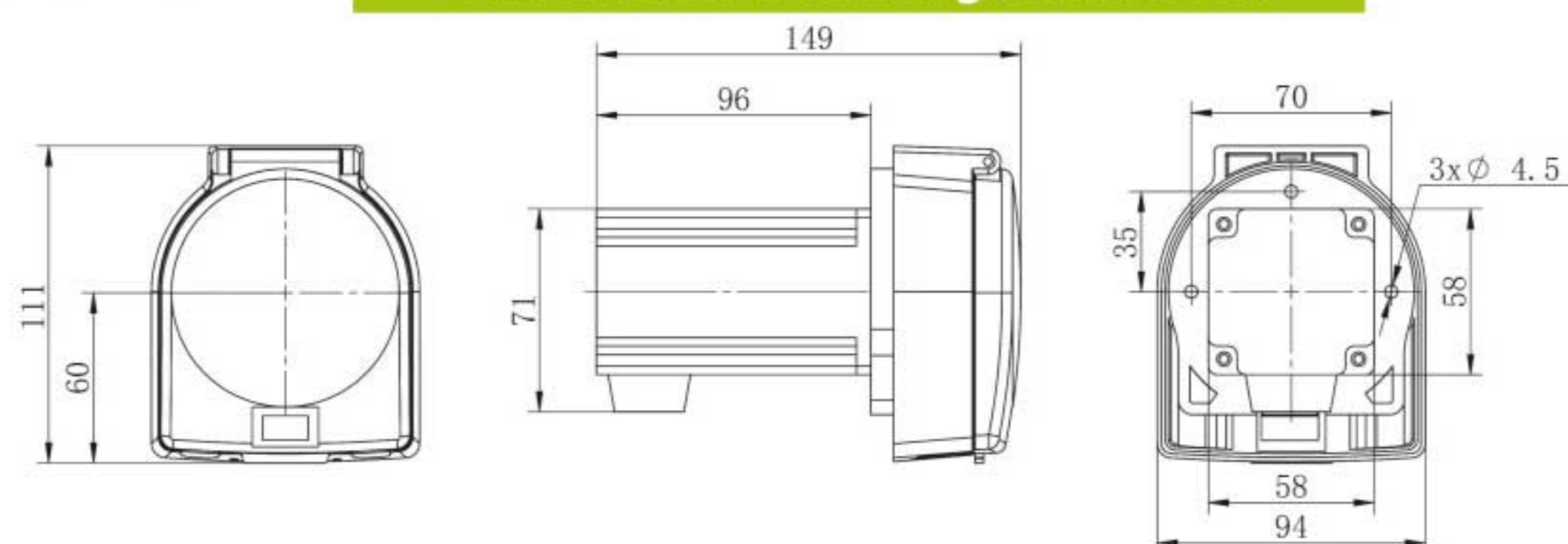


Step motor Technical Specifications

Model No.	OEM-B236
Motor type	57 stepper motor
Motor phase number	2
Motor step angle	1.8°
Motor phase voltage	1.5V
Motor phase current	3A
Working environment	0-40°C, 80%RH

OEM-UCB001

Dimension Drawing(Unit: mm)



Servo motor Technical Specifications

Model No.	OEM-UCB001
Motor type	Step servo motor
Motor phase number	2
Motor step angle	1.8°
Motor phase voltage	1.9V
Motor phase current	5A
Encoder power voltage	DC5V (± 10%)
Encoder resolution	1000cpr
Working environment	0-40°C, 80%RH

Experimental conditions: standard atmospheric pressure, room temperature at 20°C, the liquid is pure water, no pressure, no suction and lift.
 Note: Actually, it is affected by many factors such as transmission medium, inlet and outlet pressure, hose material and error, working environment, etc. This data is for reference only.

Technical Specifications

Model No.	Housing Material		Tubing		Speed Range(rpm)	Flow Rate(mL/min)	Weight (kg)
	Base	Protective cover	Tubing Sizes	ID×Wall(mm)			
UC25	PSF	PC	15#	4.8×2.4	0.1-600	0.3423~2054	1.39
			24#	6.4×2.4		0.5033~3020	
			35#	7.9×2.4		0.8588~5153	
			36#	9.6×2.4		1.1105~6663	

