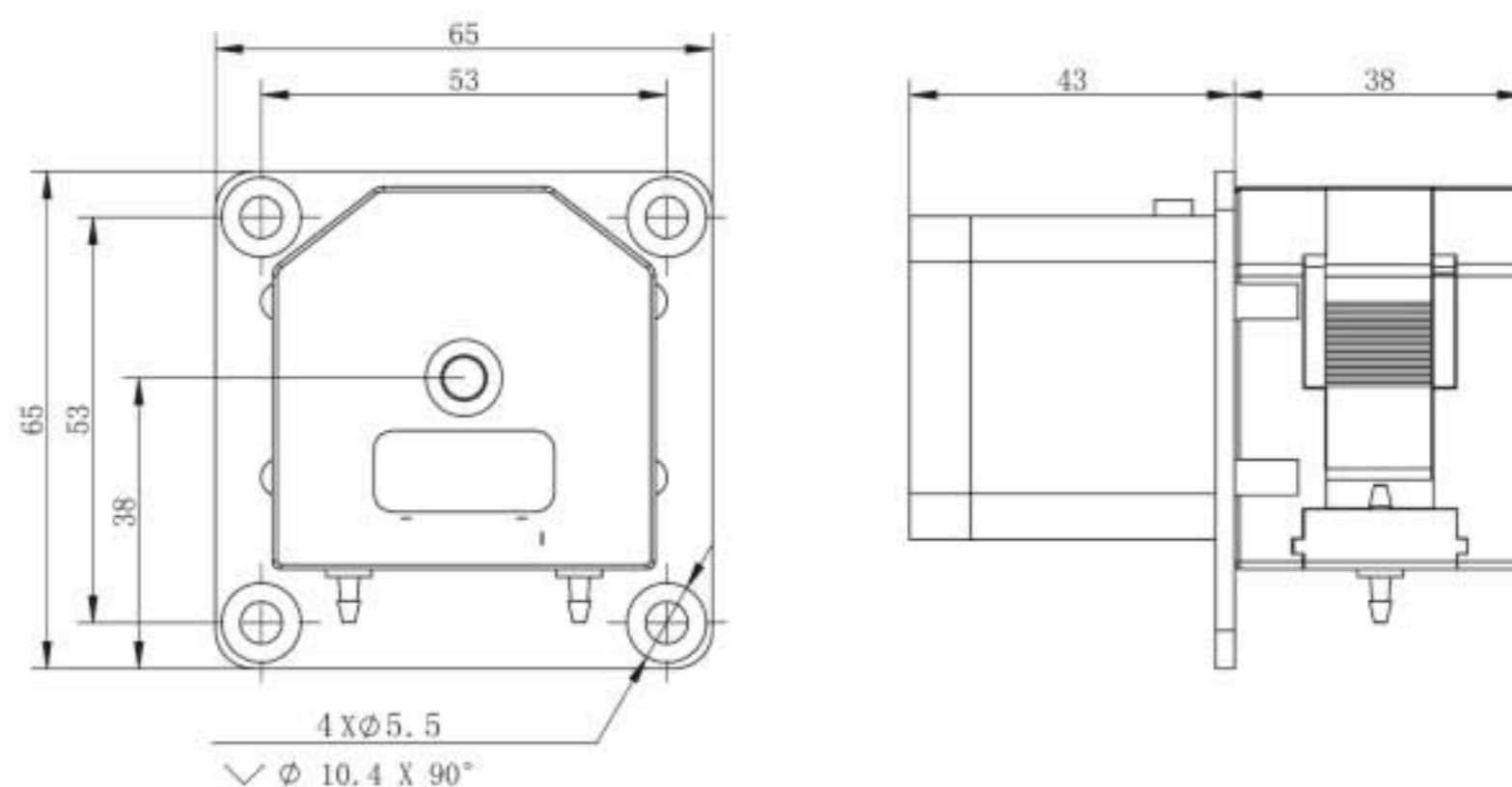


OEM-B01



Dimension Drawing(Unit: mm)



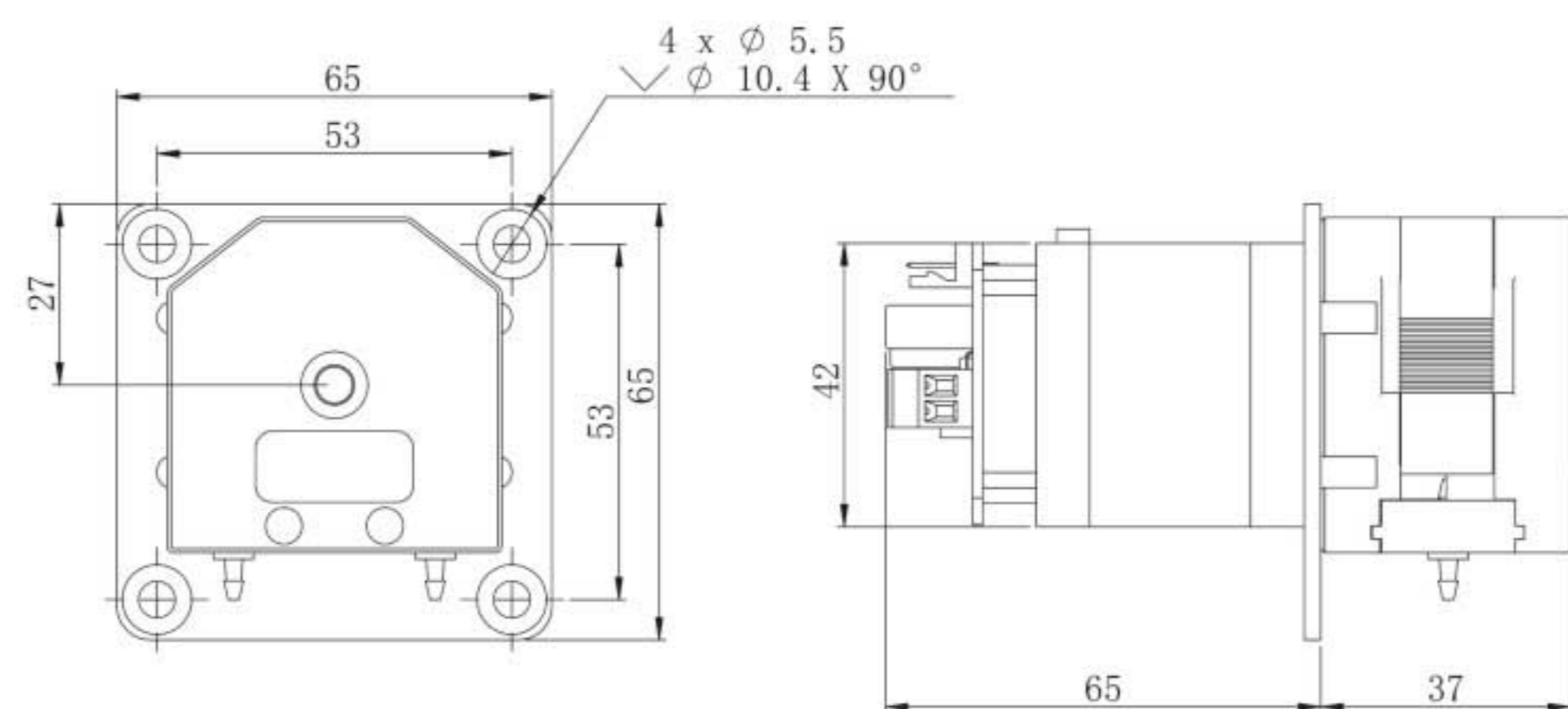
OEM-B01 Technical Specifications

Speed range	0.1-300 rpm
Flow rate range	190mL/min
Motor type	42 stepper motor
Motor phase number	2
Motor step angle	1.8°
Motor phase voltage	2.2V
Motor phase current	1.0A
Working environment	0-40°C, 80%RH

OEM-B02, OEM-B039/OEM-B040, OEM-B022



Dimension Drawing(Unit: mm)

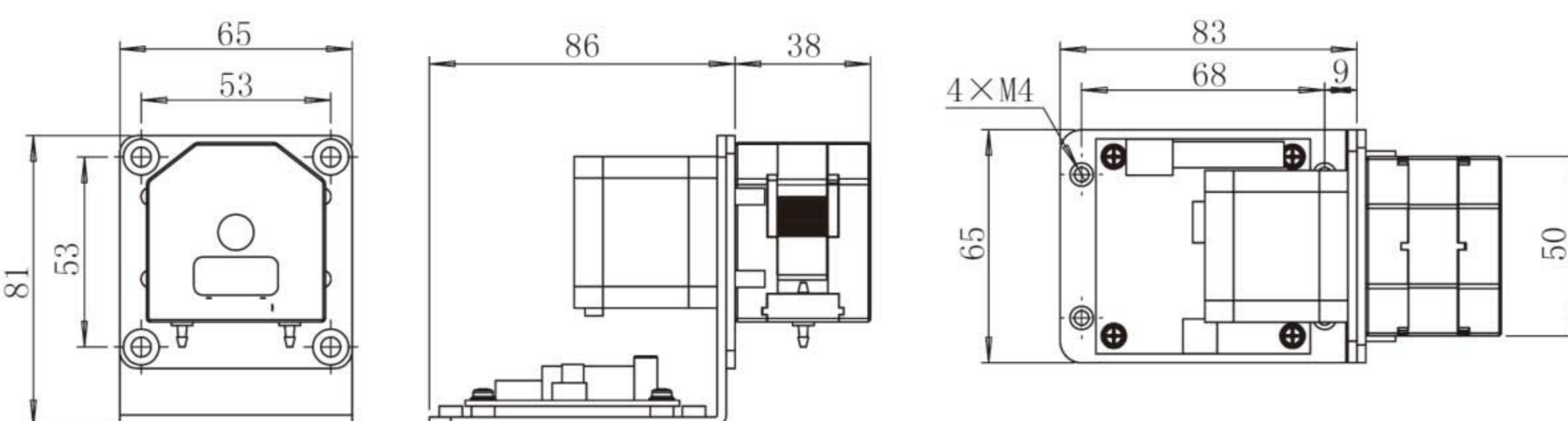


OEM-B02 Technical Specifications		OEM-B039/B040 Technical Specifications		OEM-B022 Technical Specifications	
Speed range	0.1-300 rpm	Speed range	0.1-300 rpm	Speed range	0.1-300 rpm
Flow rate range	0.0024-190mL/min	Flow rate range	0.0024-190mL/min	Flow rate range	0.0024-190mL/min
Speed control	Preset speed or serial port control	Speed control	External input pulse frequency speed control	Speed control	Adjust speed by internal potentiometer
Subdivision settings	1/16	Subdivision settings	1/16(recommend), 1, 1/2, 1/4, 1/8, 1/32, 1/64, 1/128	Subdivision settings	1/16
Motor type	42 stepper motor	Motor type	42 stepper motor	Motor type	42 stepper motor
Power supply	DC 24V, ≥48W	Power supply	DC 24V, ≥48W	Power supply	DC 24V, ≥48W
Working environment	0-40°C, 80%RH	Working environment	0-40°C, 80%RH	Working environment	0-40°C, 80%RH

OEM-B013



Dimension Drawing(Unit: mm)

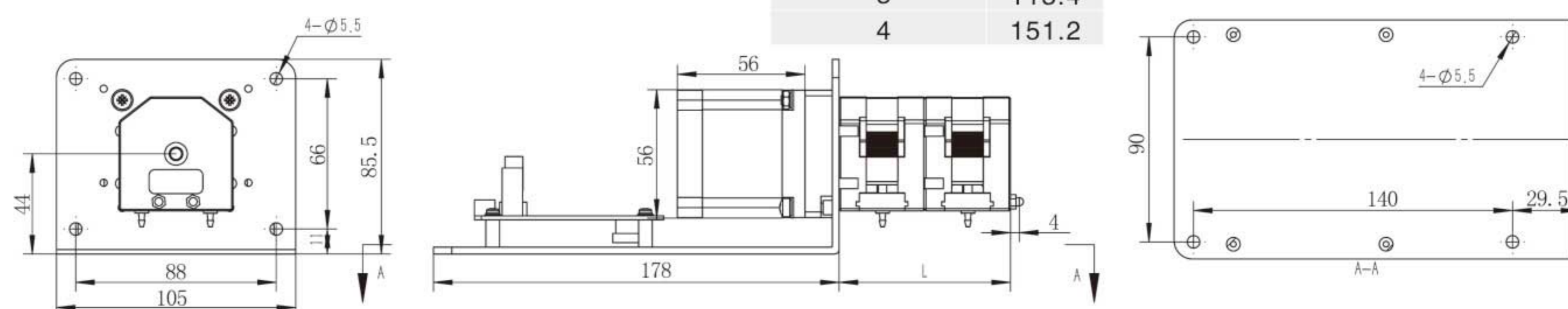


OEM-B013 Technical Specifications			
Speed range	0.1-300rpm	Address setting	1-32
Flow rate range	0.0024-190mL/min	Motor type	42 stepper motor
Speed control	Communication control	Power supply	DC 24V, ≥48W
Communication interface	RS232,RS485 interface modbus protocol, control start/stop, direction and speed	Working environment	0-40°C, 80%RH

OEM-B136, OEM-B137



Dimension Drawing(Unit: mm)



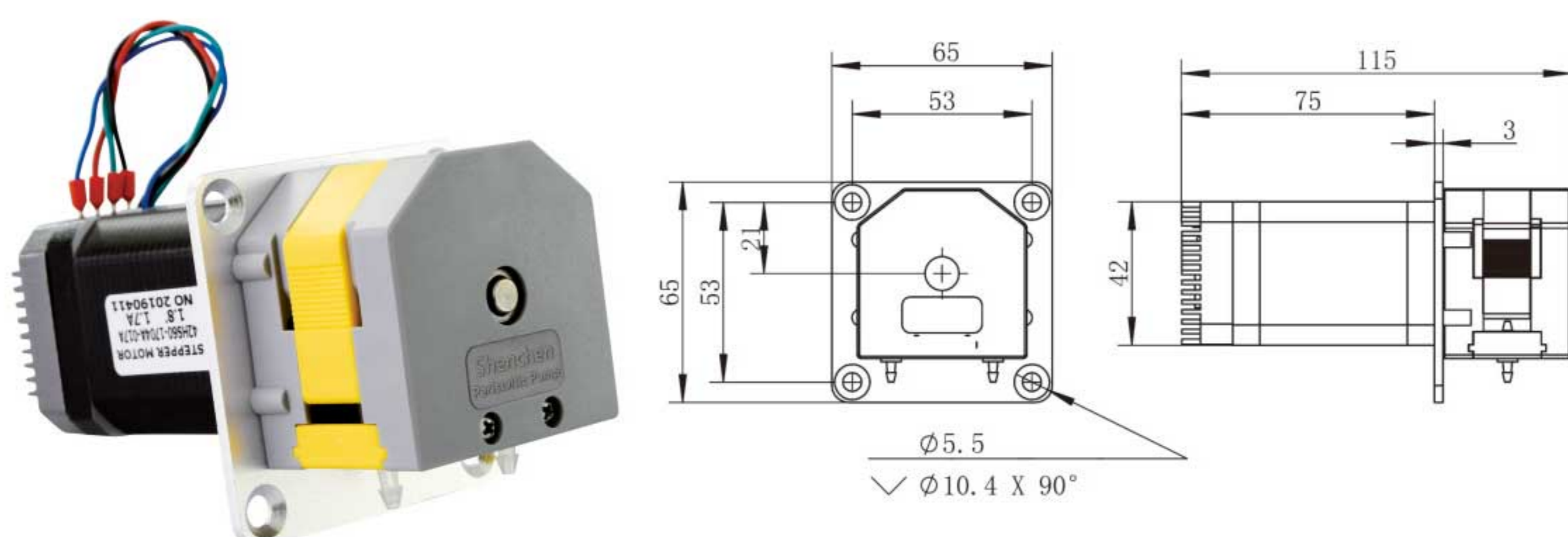
Pump Head NO.	L
2	75.6
3	113.4
4	151.2

OEM-B136 Technical Specifications		OEM-B137 Technical Specifications	
Speed range	0.1-300 rpm	Speed range	0.1-300 rpm
Flow rate range	0.0024-190mL/min	Flow rate range	0.0024-190mL/min
Speed control	Preset speed and manual control	Speed control	Pulse frequency speed control
Control mode	External passive signal level (normally closed or open) mode; control the start/stop of direction	Logic input voltage	5V, 12V, 24V(default 5V)
Display(optional)	0.96" OLED screen	Multiple segments	1/16(recommend), 1, 1/2, 1/4, 1/8, 1/32, 1/64, 1/128
Motor type	57 stepper motor	Motor type	57 stepper motor
Power supply	DC 24V, ≥150W	Power supply	DC 24V, ≥150W
Working environment	0-40°C, 80%RH	Working environment	0-40°C, 80%RH



**OEM-B047 OEM-B048
OEM-B049**

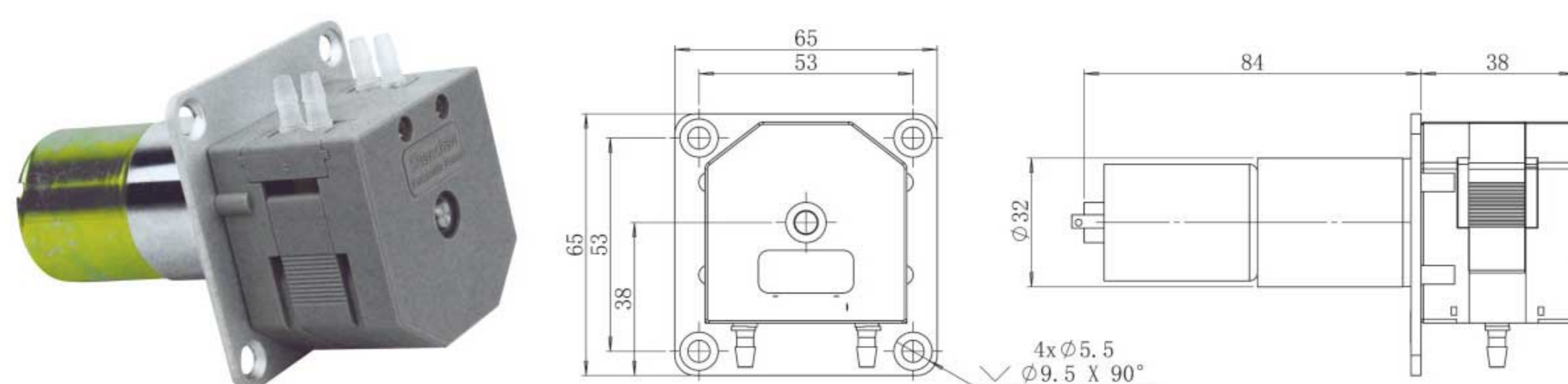
Dimension Drawing(Unit: mm)



Model No.	OEM-B047/OEM-B048/OEM-B049
Speed range	0.1-300 rpm
Flow rate range	0.0024-190mL/min
Outer control	Passive switch signal control start/stop and direction
Speed control	OEM-B047: External potentiometer speed control 0-5V OEM-B045: External potentiometer speed control 0-10V OEM-B046: External potentiometer speed control 4-20mA
Motor type	42 stepper motor
Power supply	DC 24V, ≥48W
Working environment	0-40°C, 80%RH

OEM-MZ Series

Dimension Drawing(Unit: mm)

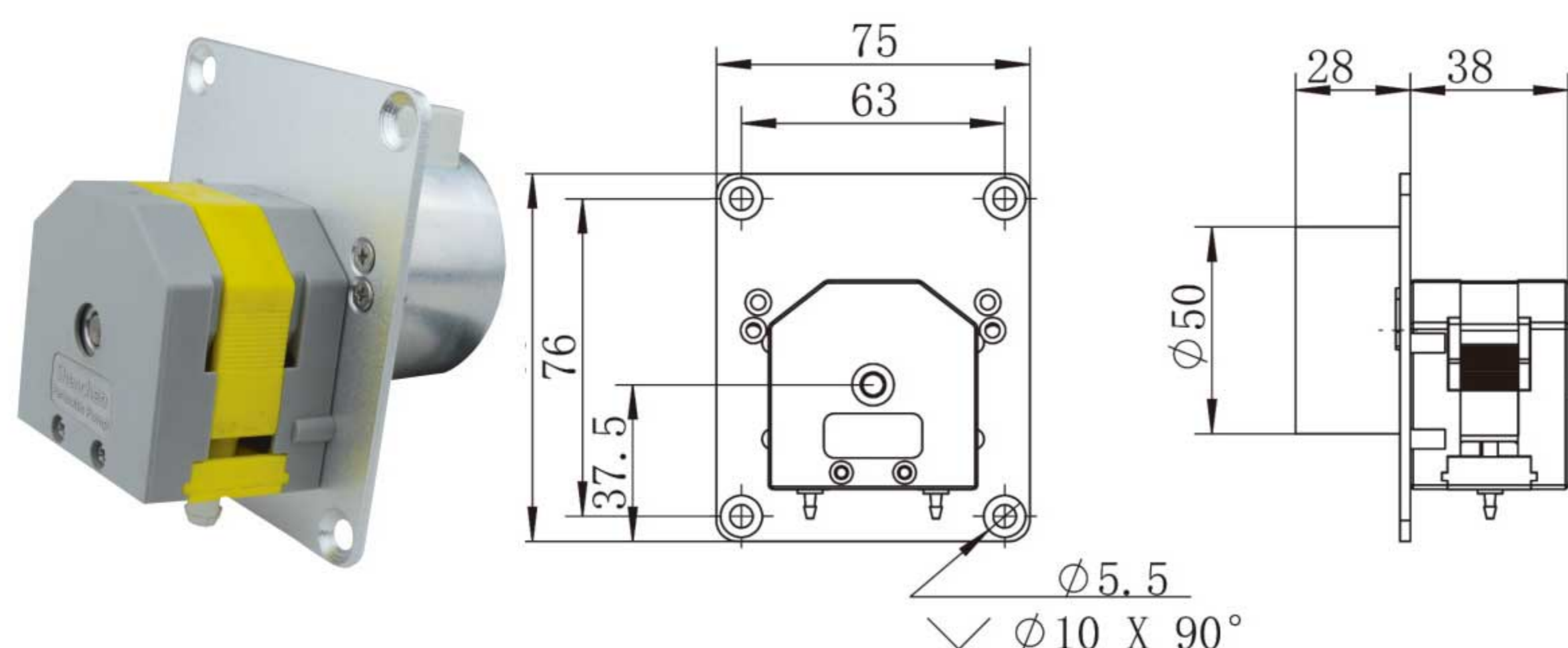


Note: OEM-MZ306 outline dimension drawing

Model No.	Motor Type	Power Supply	Motor Speed (rpm±10%)	Flow Rate (mL/min)
OEM-MZ001	Φ37 DC motor	DC12V/1.5A	170	≤107.67
OEM-MZ004			300	≤190.00
OEM-MZ104	Φ37 DC motor	DC24V/1.2A	20	≤12.67
OEM-MZ107			100	≤61.98
OEM-MZ108			160	≤101.33
OEM-MZ111			300	≤190.00
OEM-MZ304	Φ32 DC planetary gear motor	DC24V/1.2A	50	≤31.14
OEM-MZ306	Φ32 DC planetary gear motor		100	≤61.98

OEM-MJ Series

Dimension Drawing(Unit: mm)



Model No.	Motor Type	Power Supply	Motor Speed (rpm±10%)	Direction
OEM-MJ107	AC motor	AC220V	15.5/18.6	CCW

Note: In the rotation of speed, "/" represents the rotation speed in 50/60HZ.

Motor Speed(rpm)	Dual Channel Flow Rate (mL/min) and Tubing (1 mm wall thickness)			
	ID 1mm	ID 2mm	ID 2.5mm	ID 3mm
5	0.25	0.90	1.28	1.78
10	0.49	1.84	2.59	3.52
15	0.74	2.76	3.85	5.30
25	1.25	4.57	6.43	8.80
40	2.00	7.31	10.25	14.02
50	2.52	9.14	12.78	17.47
75	3.76	13.64	19.04	26.12
100	5.03	18.17	25.42	35.34
200	10.12	36.45	51.27	71.44
250	12.63	45.75	64.34	88.35
300	15.01	54.63	76.84	108.39

Motor Speed(rpm)	Single Channel Flow Rate (mL/min) and Tubing (1.6 mm wall thickness)				
	13# ID 0.8mm	14# ID 1.6mm	19# ID 2.4mm	16# ID 3.1mm	25# ID 4.8mm
5	0.12	0.56	1.26	1.97	3.26
10	0.26	1.15	2.53	3.90	6.41
15	0.39	1.74	3.80	5.80	9.52
25	0.66	2.88	6.31	9.59	15.74
40	1.08	4.59	10.11	15.29	25.15
50	1.34	5.69	12.62	18.96	31.14
75	2.00	8.54	18.93	28.36	46.55
100	2.73	11.37	25.27	37.66	61.98
200	5.46	22.76	50.82	76.02	124.14
250	6.81	28.40	65.39	95.08	153.63
300	8.28	33.88	77.23	114.31	190.00

