

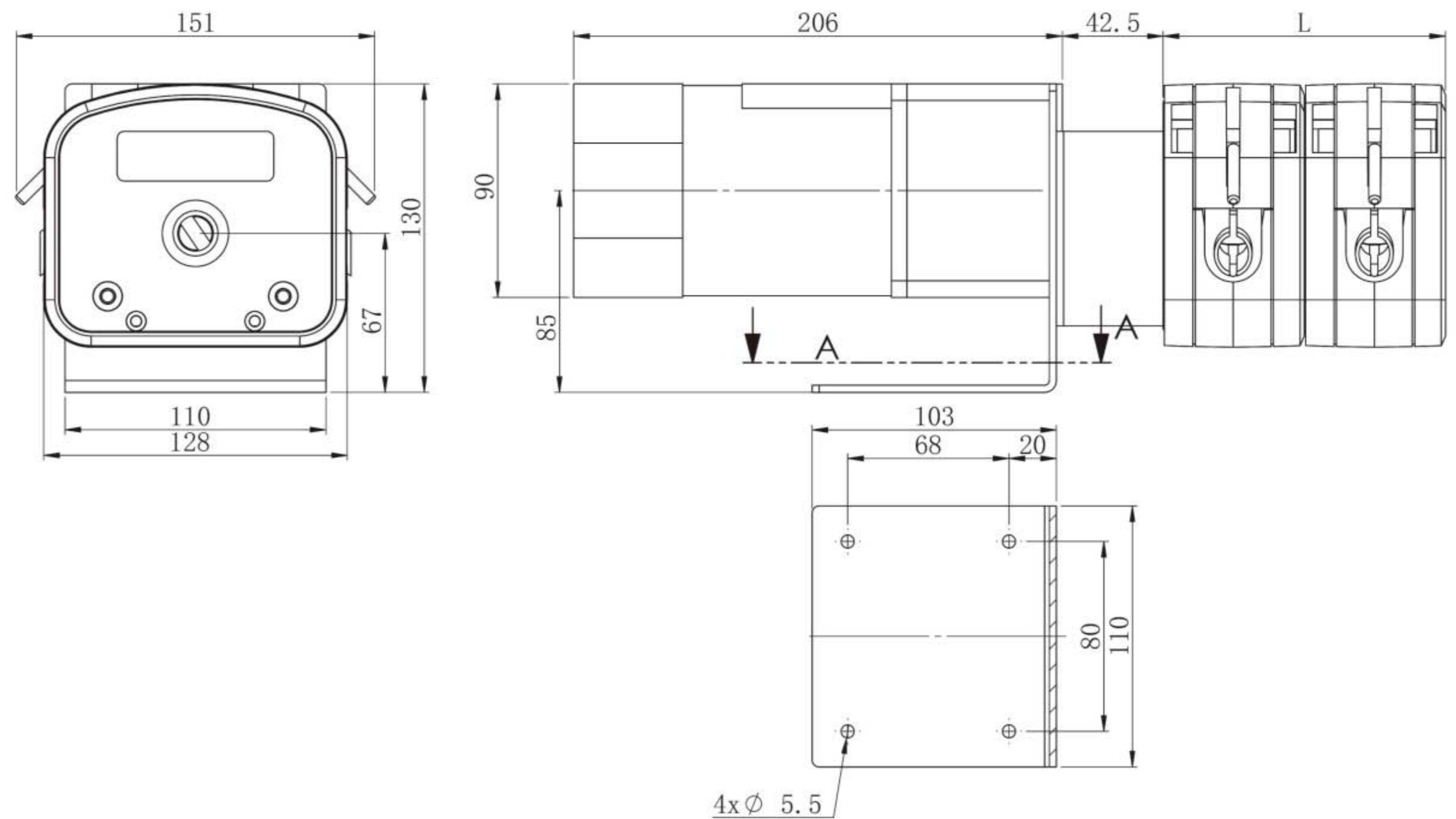
# OEM Product

## Fast Load Pump Head DZ25-6L(PPS)

### OEM-J402/DZ25-6L(AC motor)

Dimension Drawing(Unit: mm)

Number of pump heads	L/mm
1	59.5
2	119

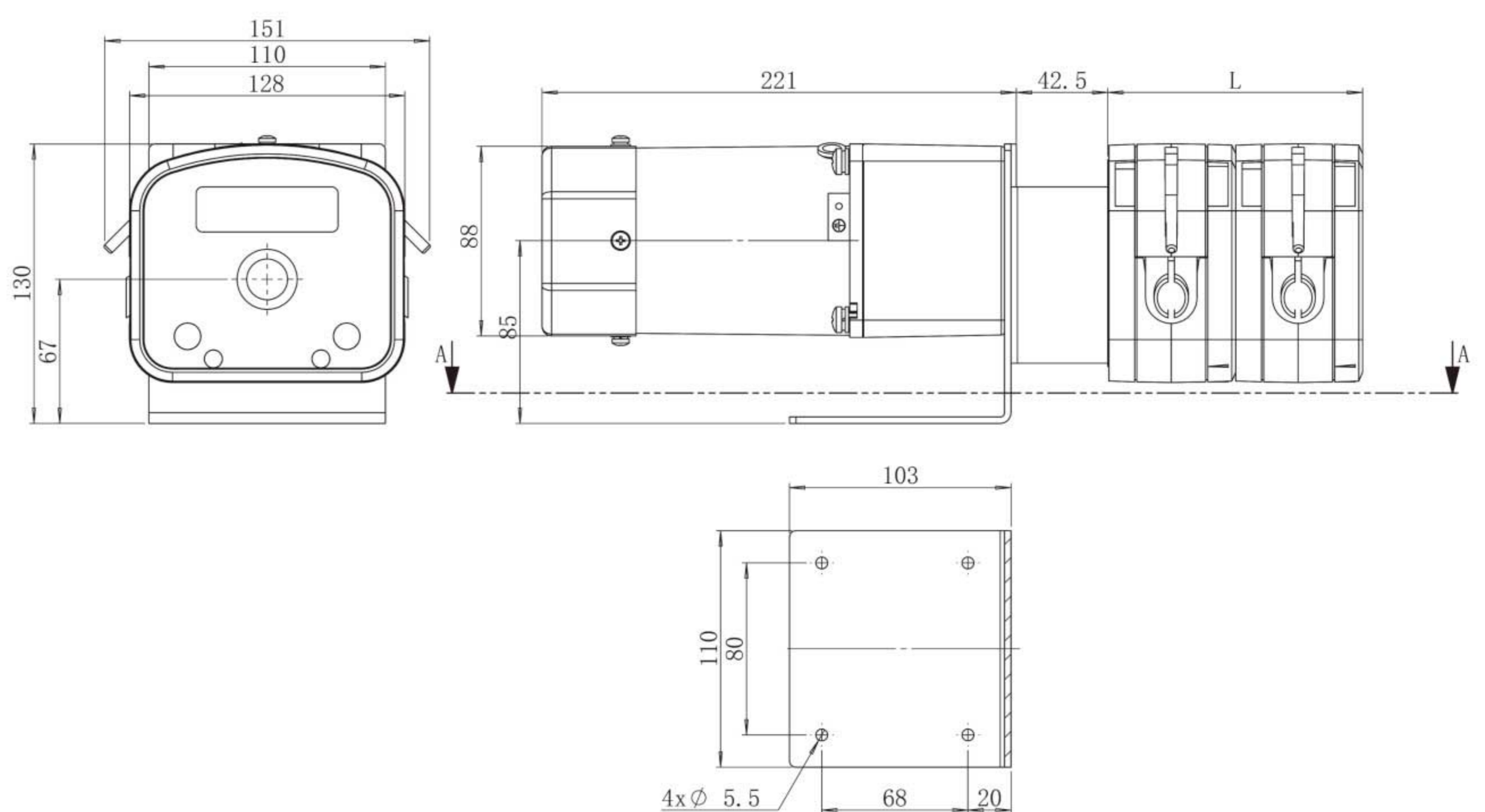


### OEM-J402 Technical Specifications

Model No.	Motor type	Power supply	Power(W)	Speed(rpm)	Speed error	Working environment
OEM-J402	AC motor	AC220V(standard), AC110V(optional)	120	450	≤±10%	0-40°C, 80%RH

### OEM-JT407/DZ25-6L(AC speed motor)

Dimension Drawing(Unit: mm)



### OEM-JT407 Technical Specifications

Model No.	Motor type	Power supply	Power(W)	Speed(rpm)	Speed error	Working environment
OEM-JT407	AC motor	AC220V(standard), AC110V(optional)	120	45-450	≤±10%	0-40°C, 80%RH

