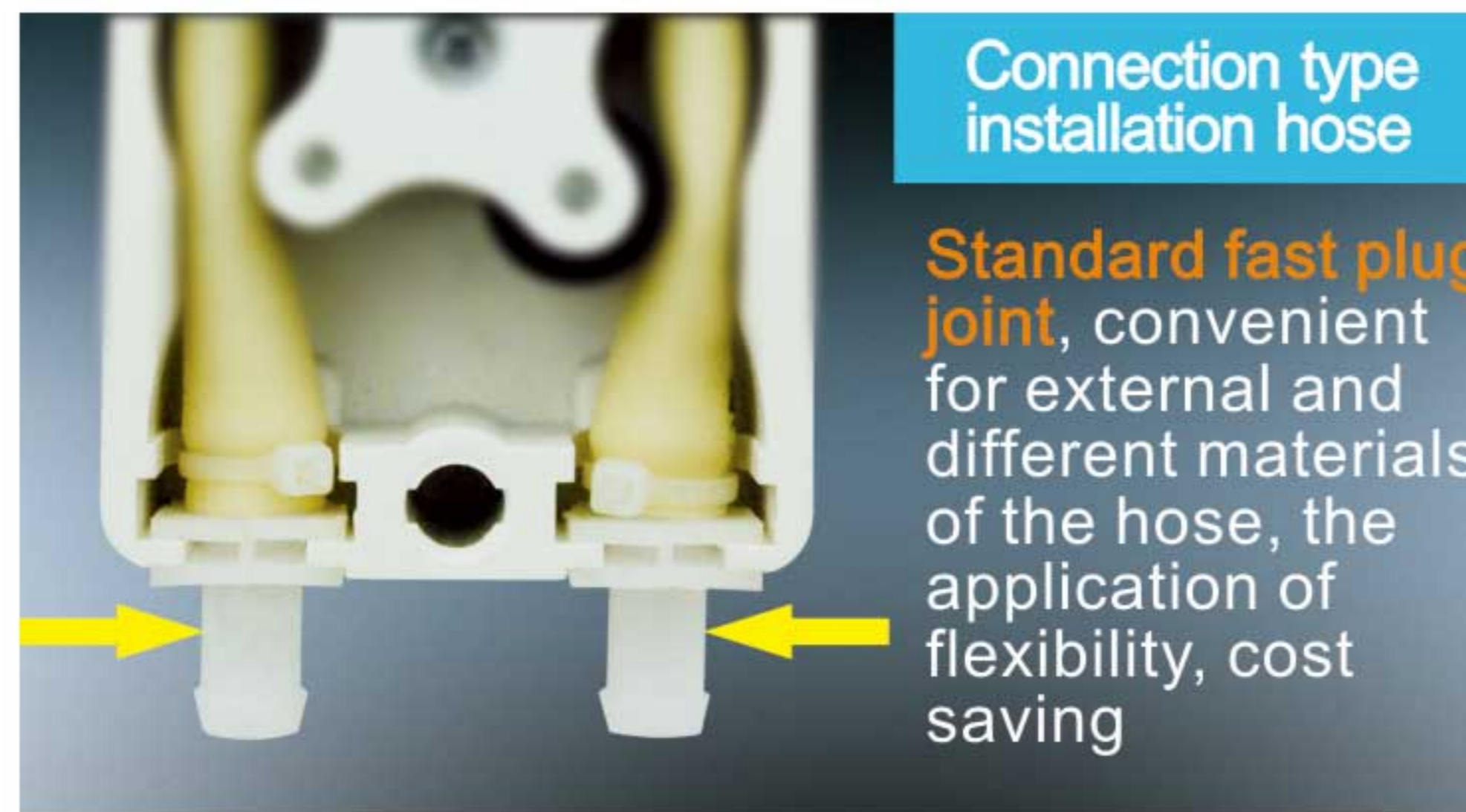


Compact Pump Head

UD15



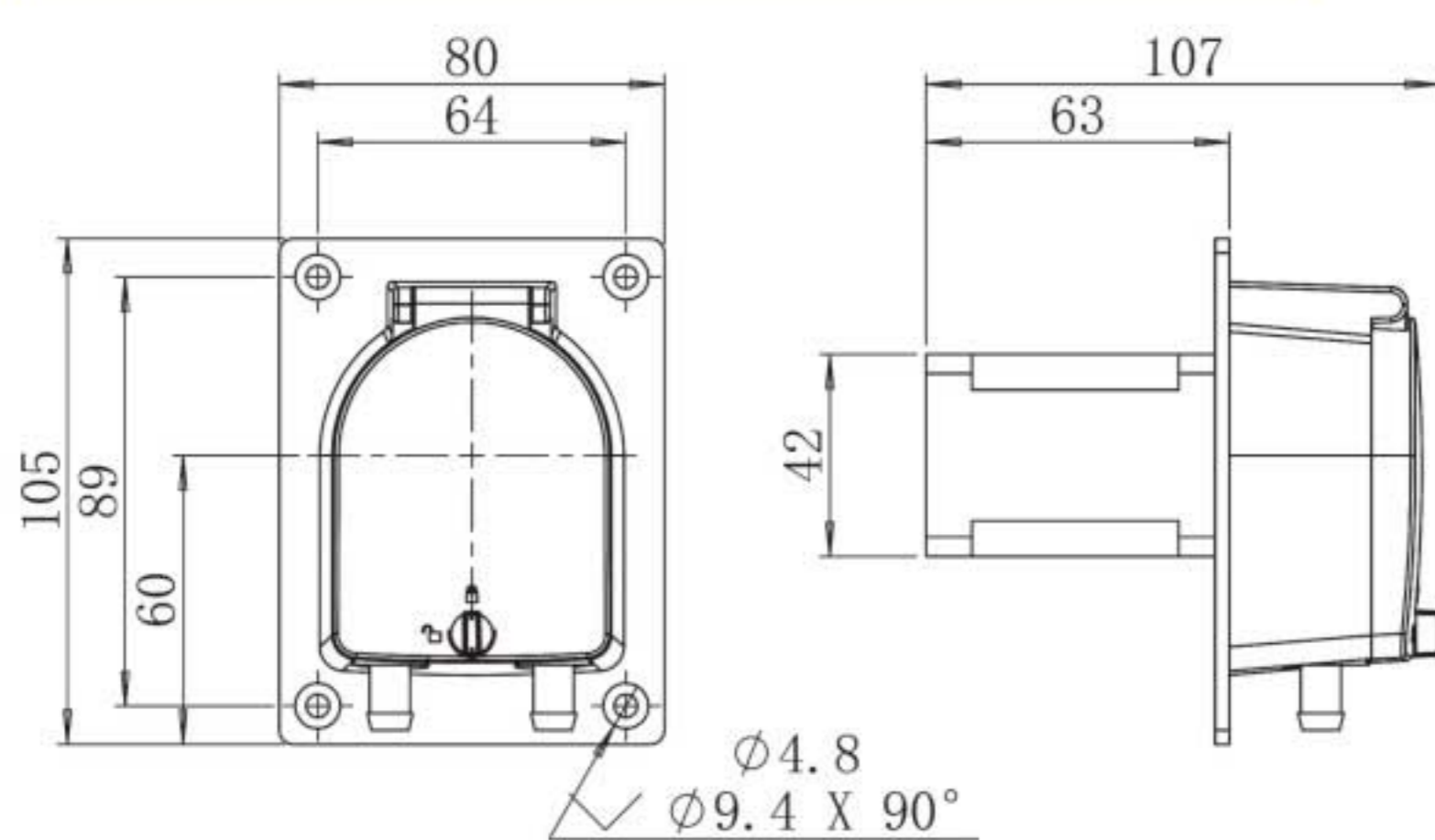
(2 rollers)



Connection type installation hose

Standard fast plug joint, convenient for external and different materials of the hose, the application of flexibility, cost saving

Dimension Drawing(Unit: mm)



Install hose without connector

1. Adopt special hygienic grade tube, The whole tube is installed.
2. No connection simplifies design to prevent leakage and pollution risk.

Product Introduction

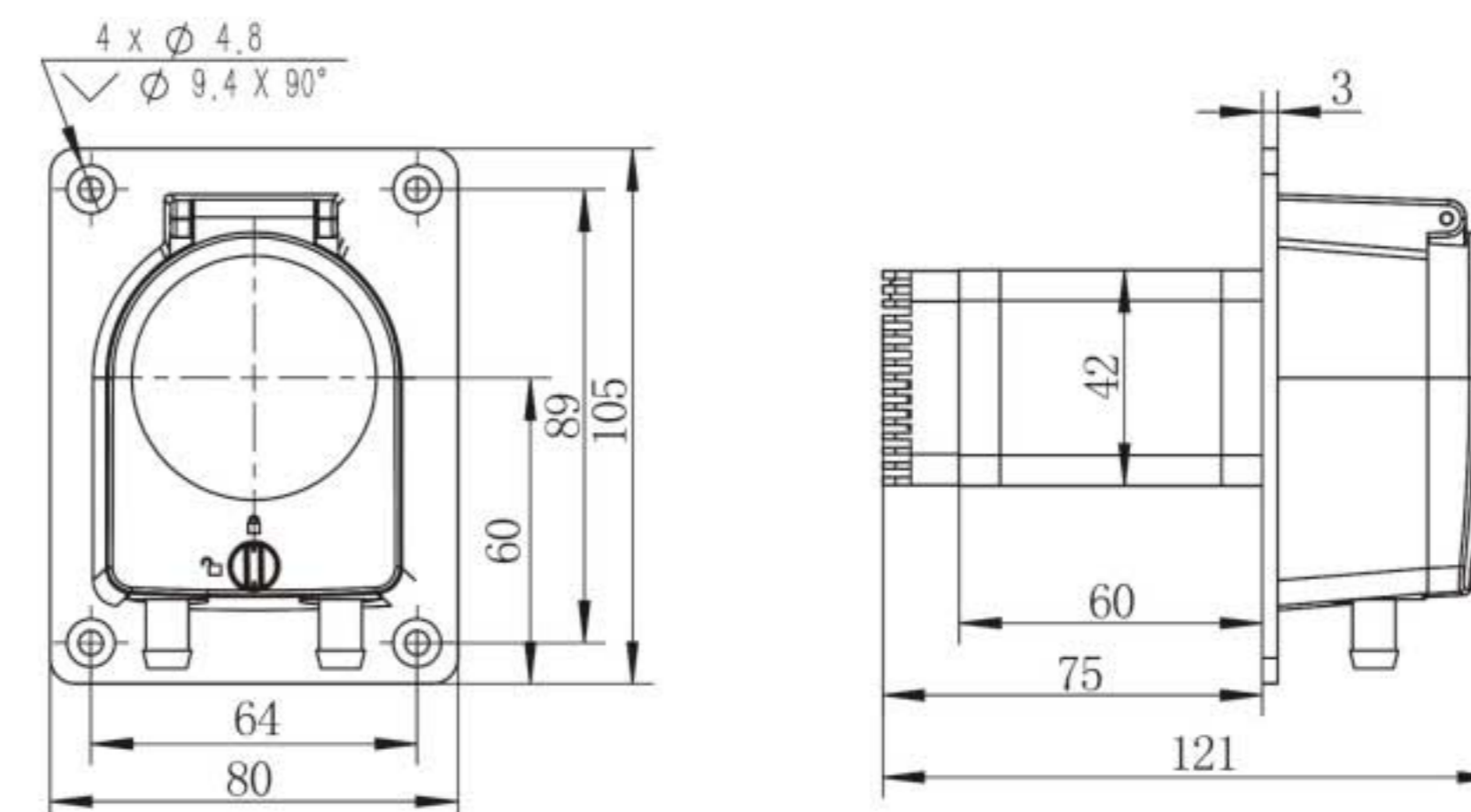
PES material, transparent protecting cover, easily to observe the working situation of pump head and tubing at any time. Various of colors are available. There is water-proof groove in the pump head mounting side. Can use stepper motor, DC motor, AC motor and so on to drive.

| Model No. | OEM-UB01 |
|---------------------|------------------|
| Speed range | 0.1-300 rpm |
| Flow rate range | 0.08-930mL/min |
| Motor type | 42 stepper motor |
| Motor phase number | 2 |
| Motor step angle | 1.8° |
| Motor phase voltage | 2.2V |
| Motor phase current | 1.0A |
| Working environment | 0-40°C, 80%RH |

OEM-UB02, OEM-UB09/UB10, OEM-UB016



Dimension Drawing(Unit: mm)

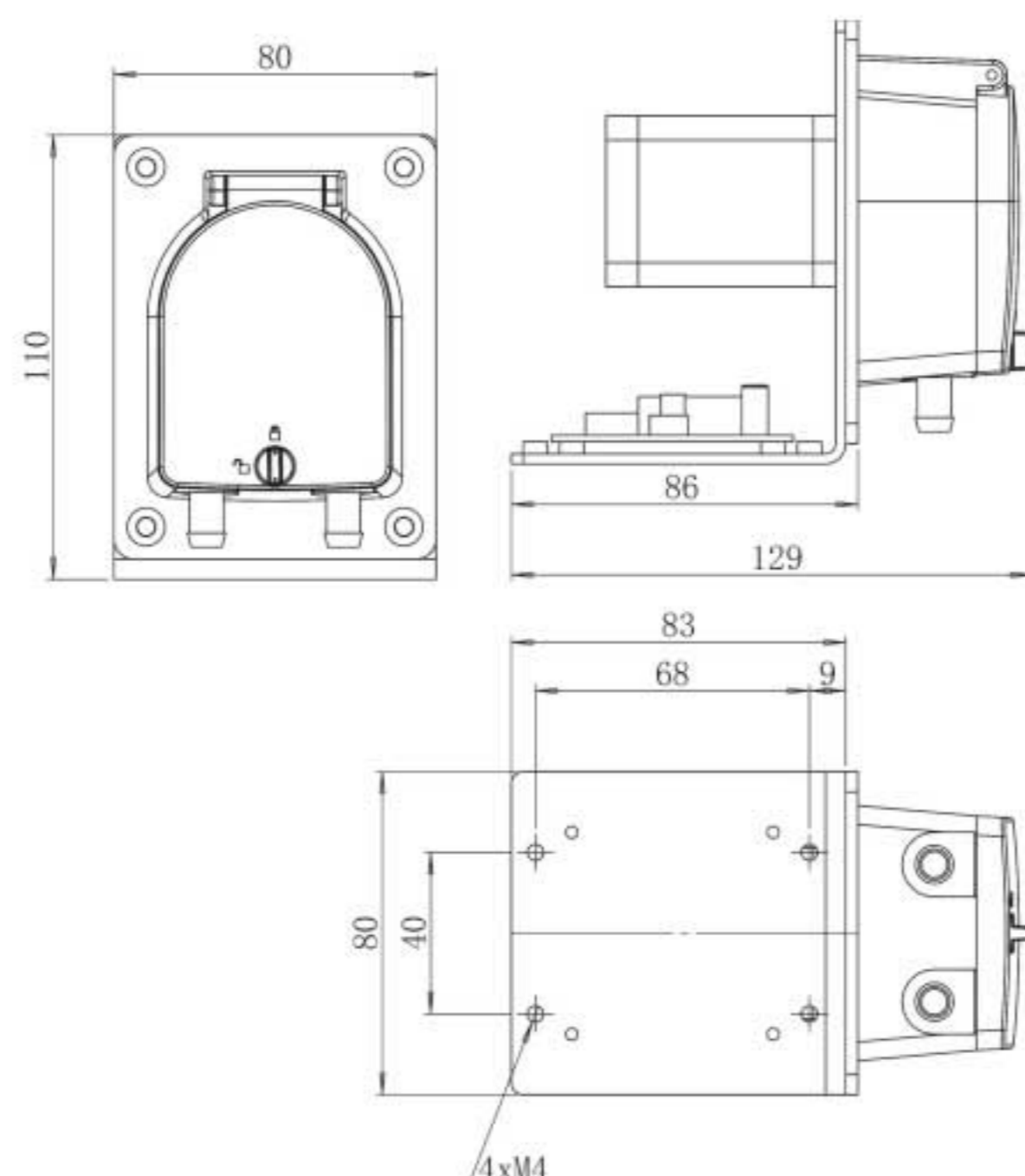


| OEM-UB02 Technical Specifications | | OEM-UB09/UB10 Technical Specifications | | OEM-UB016 Technical Specifications | |
|-----------------------------------|-------------------------------------|--|--|------------------------------------|--|
| Speed range | 0.1-300 rpm | Speed range | 0.1-300 rpm | Speed range | 0.1-300 rpm |
| Flow rate range | 0.0024-190mL/min | Flow rate range | 0.0024-190mL/min | Flow rate range | 0.0024-190mL/min |
| Speed control | Preset speed or serial port control | Speed control | External input pulse frequency speed control | Speed control | Adjust speed by internal potentiometer |
| Subdivision settings | 1/16 | Subdivision settings | 1/16(recommend), 1, 1/2, 1/4, 1/8, 1/32, 1/64, 1/128 | Subdivision settings | 1/16 |
| Motor type | 42 stepper motor | Motor type | 42 stepper motor | Motor type | 42 stepper motor |
| Power supply | DC 24V, ≥48W | Power supply | DC 24V, ≥48W | Power supply | DC 24V, ≥48W |
| Working environment | 0-40°C, 80%RH | Working environment | 0-40°C, 80%RH | Working environment | 0-40°C, 80%RH |

OEM-UB04



Dimension Drawing(Unit: mm)

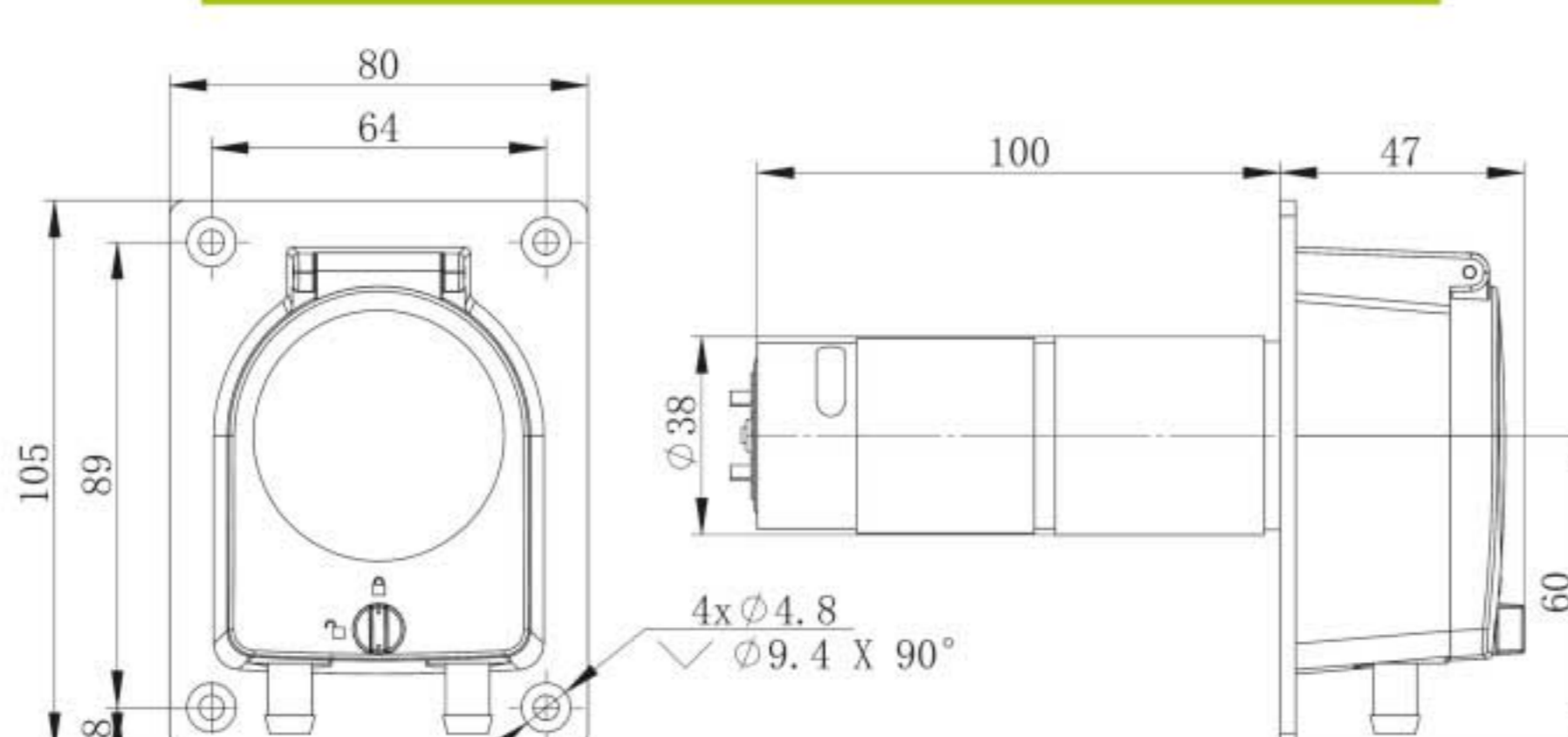


| Model No. | OEM-UB04 |
|-------------------------|---|
| Speed range | 0.1-350 rpm |
| Flow rate range | 0.08-930mL/min |
| Motor type | 42 stepper motor |
| Speed control | Communication control |
| Address setting | 1-32 |
| Power supply | DC 24V, ≥48W |
| Communication interface | RS232, RS485 interface modbus protocol, control start/stop, direction and speed |
| Working environment | 0-40°C, 80%RH |

OEM-UXZ Series



Dimension Drawing(Unit: mm)



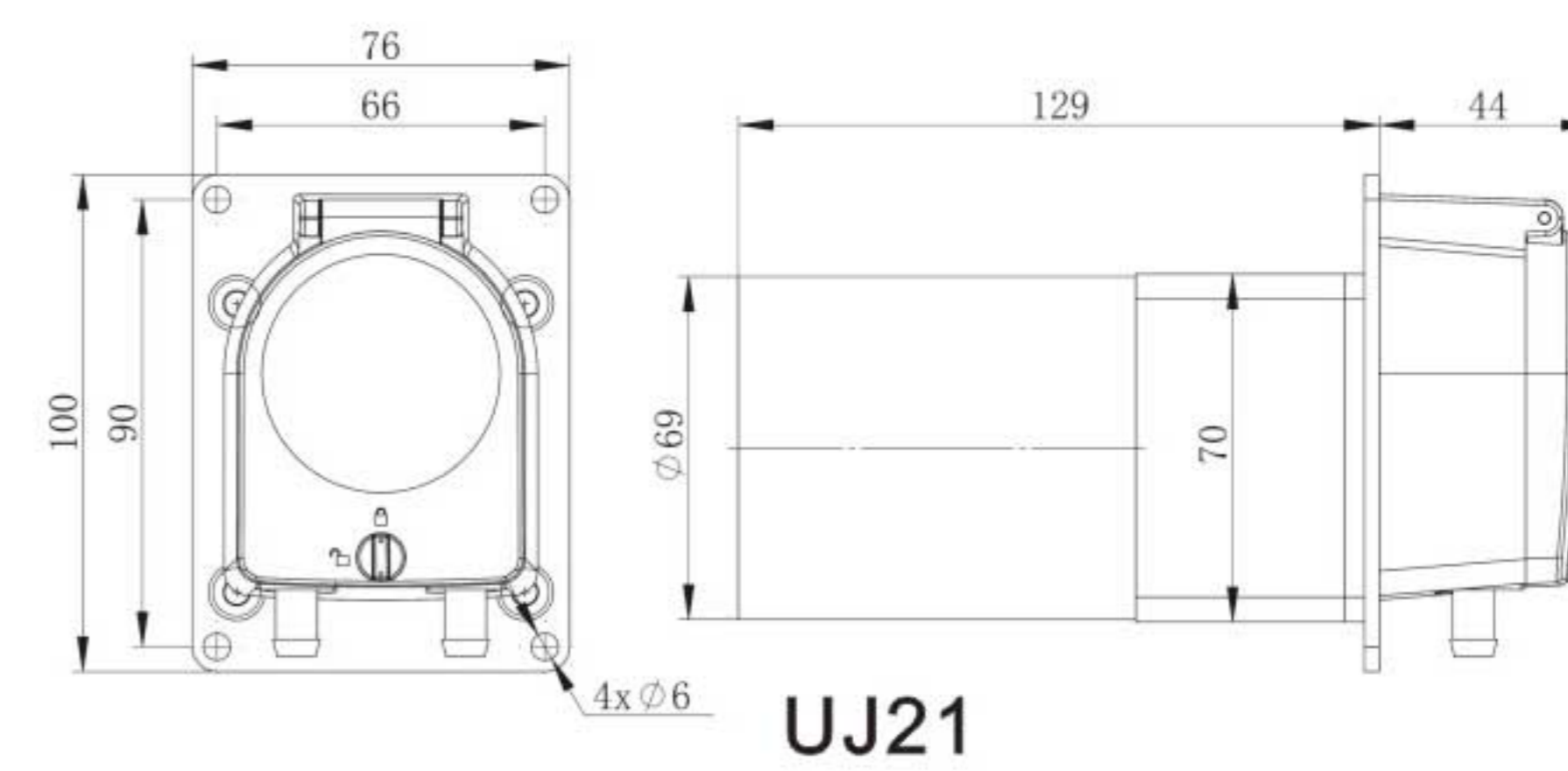
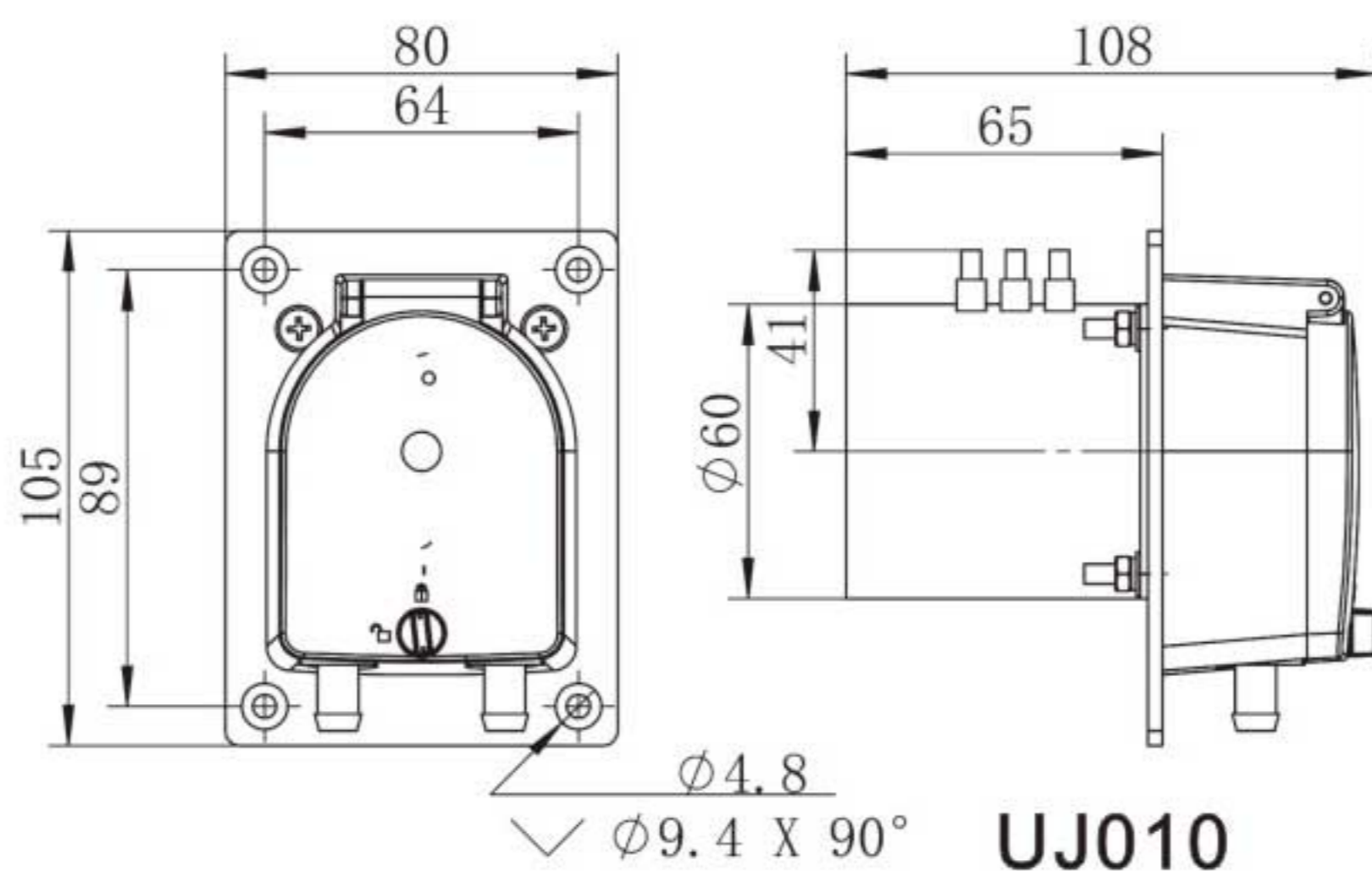
| Model No. | Motor Type | Power Supply | Motor Speed (rpm±10%) | Flow Rate (mL/min) |
|-----------|-----------------------------|--------------|-----------------------|--------------------|
| OEM-UXZ03 | Φ37 DC planetary gear motor | DC12V/5A | 150 | ≤398 |
| OEM-UXZ06 | | | 350 | ≤930 |
| OEM-UXZ13 | DC24V/4A | | 150 | ≤398 |
| OEM-UXZ16 | | | 350 | ≤930 |



Compact Pump Head

OEM-UJ Series

Dimension Drawing(Unit: mm)



| Model No. | Motor Type | Power Supply | Motor Speed (rpm±10%) | Flow Rate (mL/min) |
|-----------|-------------|--------------|-----------------------|--------------------|
| OEM-UJ010 | AC motor | AC220V | 80 | ≤212 |
| OEM-UJ21 | Φ70 ACmotor | AC220V | 350 | ≤930 |

Experimental conditions: standard atmospheric pressure, room temperature at 20°C, the liquid is pure water, no pressure, no suction and lift.
 Note: Actually, it is affected by many factors such as transmission medium, inlet and outlet pressure, hose material and error, working environment, etc. This data is for reference only.

| Model No. | Housing Material | | Tubing | | Speed Range(rpm) | Flow Rate (mL/min) | Weight (kg) |
|---------------------|------------------|------------------|--------------|-------------------|------------------|--------------------|-------------|
| | Body | Protective cover | Tubing Sizes | ID×Wall Thickness | | | |
| UD15 (2 rollers) | PSF | Transparent PC | 16# | 3.1×1.6(mm) | 0.1~350 | 0.08~280 | 0.12 |
| | | | 25# | 4.8×1.6(mm) | | 0.16~580 | |
| | | | 17# | 6.4×1.6(mm) | | 0.26~930 | |

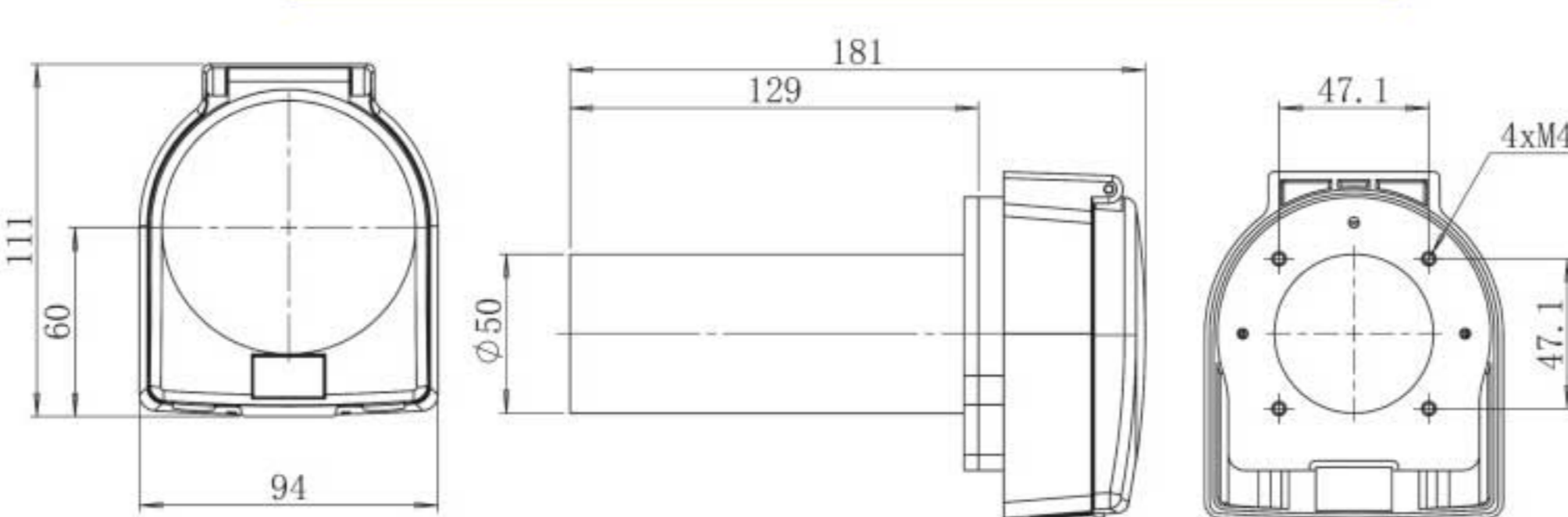
Compact Pump Head

Product Introduction

UC25, compact pump head, functional design, more practical. Transparent protective cover, can observe the working situation anytime; uncover signal output, stop working when uncover to ensure safety; running smoothly, low noise; support DC motor, brushless DC motor, stepper motor, servo motor and AC motor.

(2 rollers) OEM-UCXZ Series

Dimension Drawing(Unit: mm)

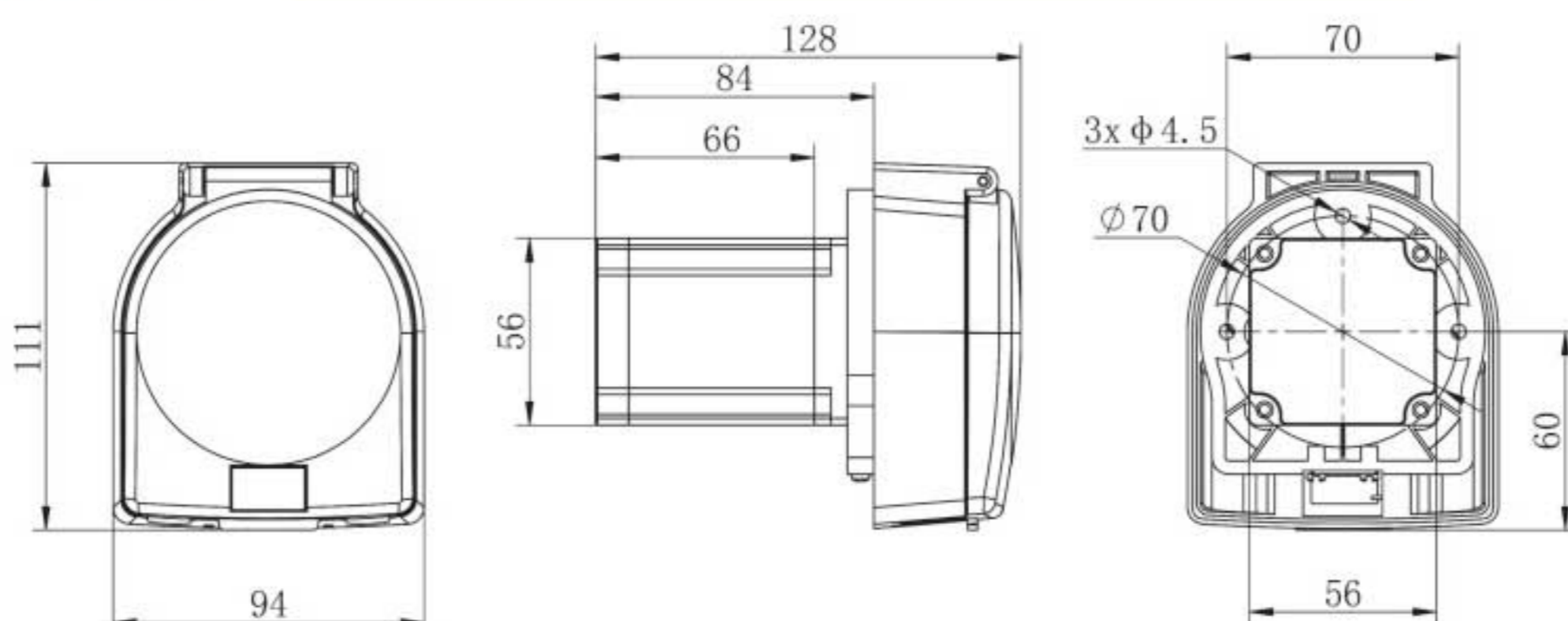


DC motor Technical Specifications

| | |
|---------------------|--|
| Model No. | UCXZ00X series, UCXZ10X series, UCXZ20X series, UCXZ30X series |
| Motor type | Brush/Brushless DC planetary gear motor |
| Voltage | DC12V/DC24V |
| Speed(rpm) | 300 |
| Speed error | ≤ ± 10% |
| Working environment | 0-40°C, 80%RH |

OEM-B236

Dimension Drawing(Unit: mm)

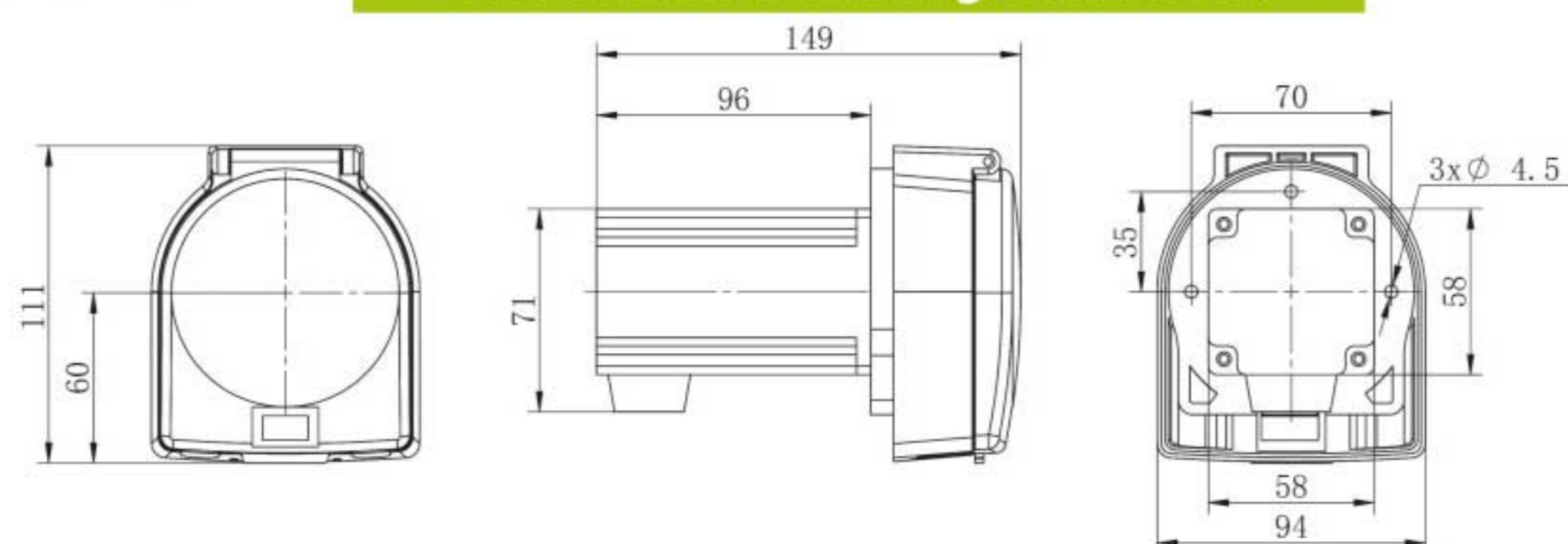


Step motor Technical Specifications

| | |
|---------------------|------------------|
| Model No. | OEM-B236 |
| Motor type | 57 stepper motor |
| Motor phase number | 2 |
| Motor step angle | 1.8° |
| Motor phase voltage | 1.5V |
| Motor phase current | 3A |
| Working environment | 0-40°C, 80%RH |

OEM-UCB001

Dimension Drawing(Unit: mm)



Servo motor Technical Specifications

| | |
|-----------------------|------------------|
| Model No. | OEM-UCB001 |
| Motor type | Step servo motor |
| Motor phase number | 2 |
| Motor step angle | 1.8° |
| Motor phase voltage | 1.9V |
| Motor phase current | 5A |
| Encoder power voltage | DC5V (± 10%) |
| Encoder resolution | 1000cpr |
| Working environment | 0-40°C, 80%RH |

Experimental conditions: standard atmospheric pressure, room temperature at 20°C, the liquid is pure water, no pressure, no suction and lift.
 Note: Actually, it is affected by many factors such as transmission medium, inlet and outlet pressure, hose material and error, working environment, etc. This data is for reference only.

Technical Specifications

| Model No. | Housing Material | | Tubing | | Speed Range(rpm) | Flow Rate(mL/min) | Weight (kg) |
|-----------|------------------|------------------|--------------|-------------|------------------|-------------------|-------------|
| | Base | Protective cover | Tubing Sizes | ID×Wall(mm) | | | |
| UC25 | PSF | PC | 15# | 4.8×2.4 | 0.1-600 | 0.3423~2054 | 1.39 |
| | | | 24# | 6.4×2.4 | | 0.5033~3020 | |
| | | | 35# | 7.9×2.4 | | 0.8588~5153 | |
| | | | 36# | 9.6×2.4 | | 1.1105~6663 | |

