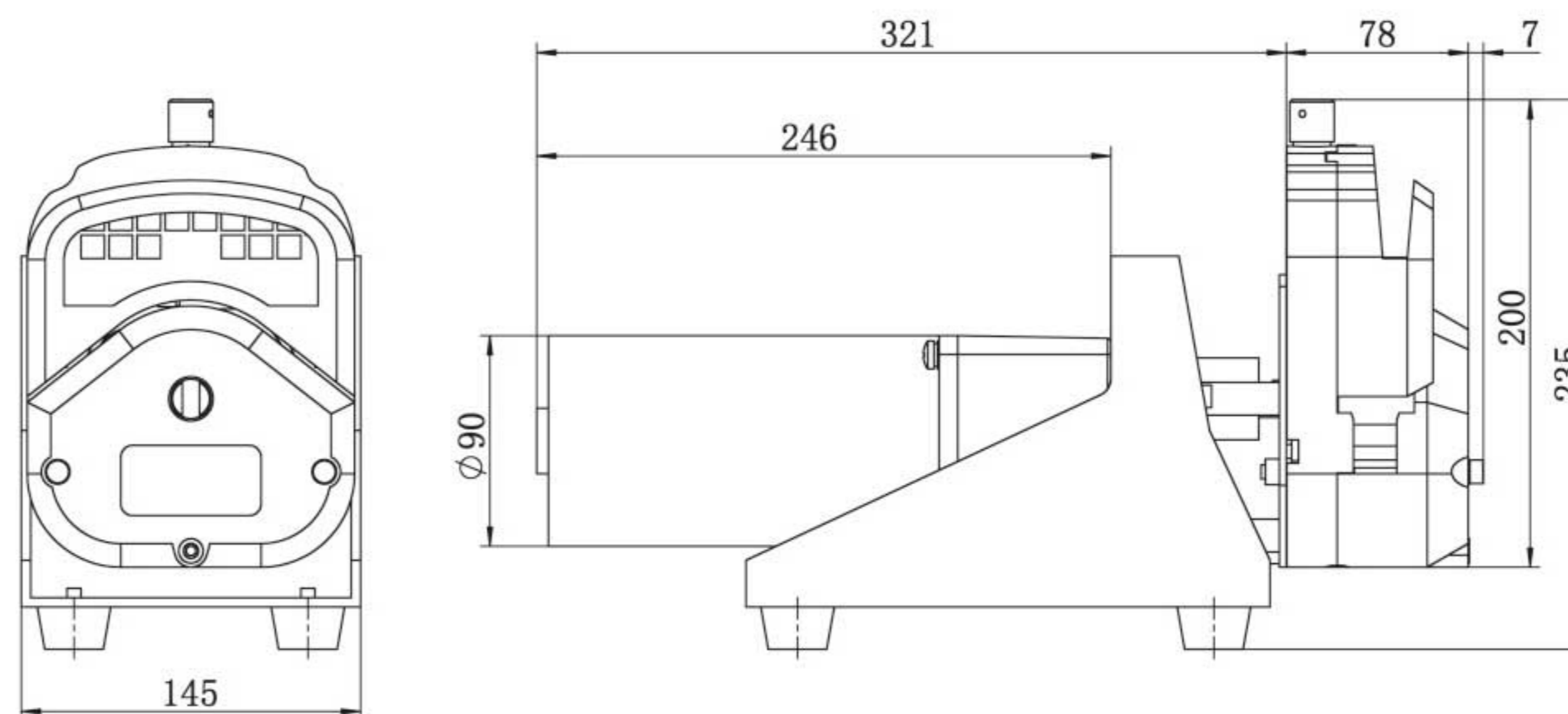


## OEM Product

### Easy Load Pump Head YZ35

#### OEM-Z501/YZ35

Dimension Drawing(Unit: mm)

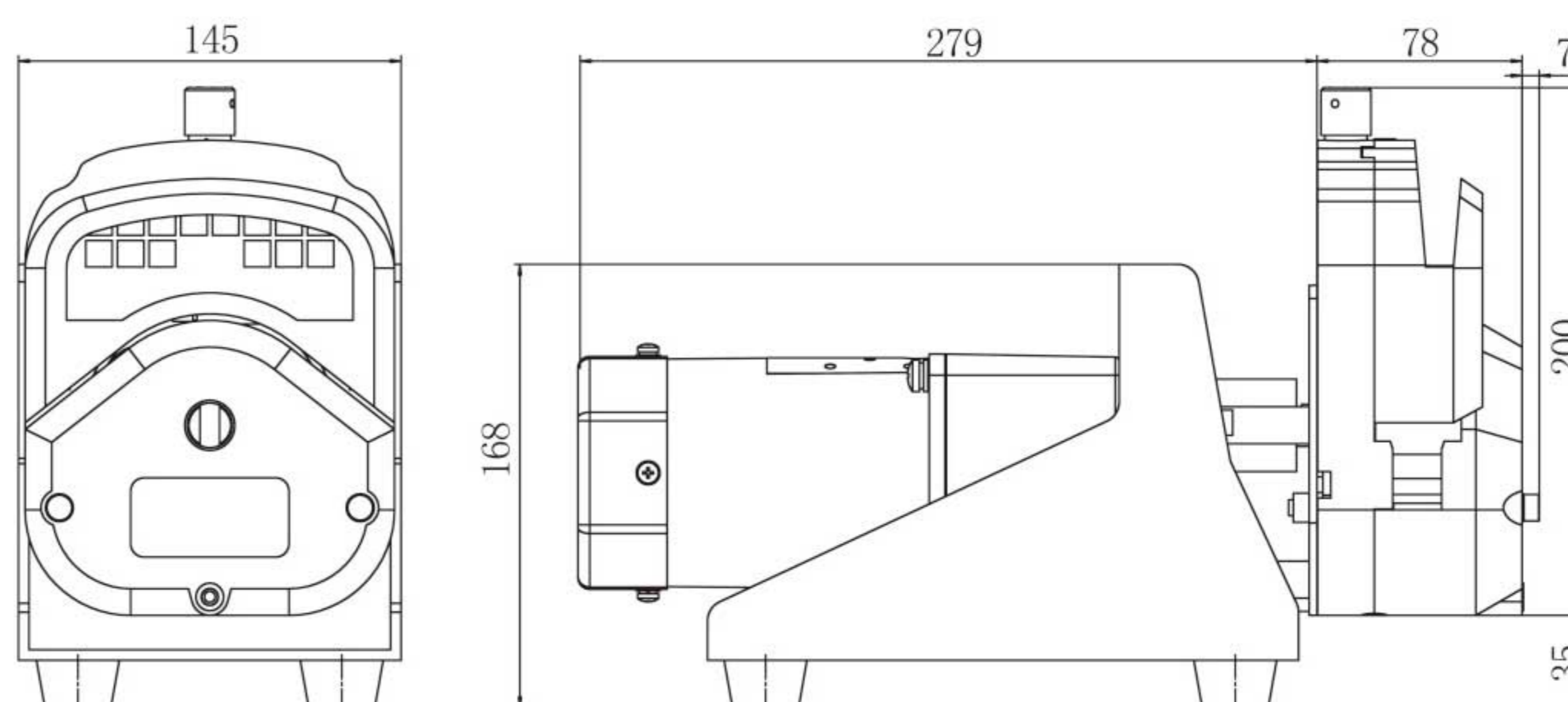


#### OEM-Z501 Technical Specifications

Model No.	Motor type	Power supply	Power(W)	Speed(rpm)	Speed error	Working environment
OEM-Z501	DC geared motor	DC24V/16A	250	600	$\leq \pm 10\%$	0-40°C, 80%RH

#### OEM-J401/YZ35

Dimension Drawing(Unit: mm)

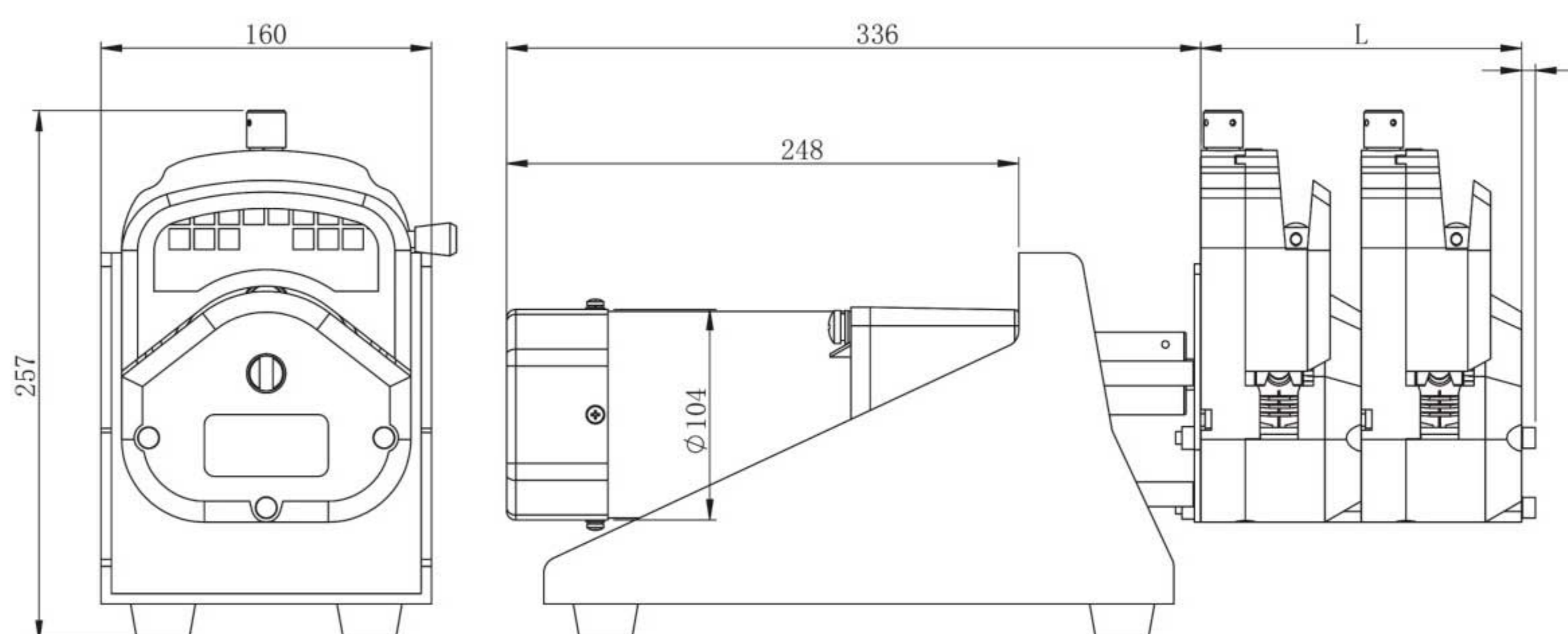


#### OEM-J401 Technical Specifications

Model No.	Motor type	Power supply	Power(W)	Speed(rpm)	Speed error	Working environment
OEM-J401	AC geared motor	AC220V(standard), AC110V(optional)	120	450	$\leq \pm 10\%$	0-40°C, 80%RH

#### OEM-JT501/YZ35

Dimension Drawing(Unit: mm)



#### OEM-JT501 Technical Specifications

Model No.	Motor type	Power supply	Power(W)	Speed(rpm)	Speed error	Working environment
OEM-JT501	AC speed motor	AC220V(standard), AC110V(optional)	200	45-450	$\leq \pm 10\%$	0-40°C, 80%RH

