

Portable Bio-suction Systems

BioVac 225/BioVac 240



English Operating Manual

WIGGENS labortechnik GmbH

Mühsamstrasse 3610249 Berlin Germany

Fon: +49 30 42105470 E-Mail: info@chemvak.com

Fax: +49 30 42105971 Web: www.chemvak.com

ChemVac

Portable Bio-suction Systems

BioVac 225

BioVac 240

Congratulations!

You have made an excellent choice.

WIGGENS wants to thank you for the trust you have placed in us.

This operating manual has been designed to help you gain an understanding of the operation and possible applications of our instruments. For optimal utilization of all functions, we recommend that you thoroughly study this manual prior to beginning any operation.

The WIGGENS Quality Management System



ISO 9001

Certificate Registration No. 01 100084841

Unpacking and Inspection

Unpack the instruments and accessories and inspect them for possible transport damage. Damage should be reported to the responsible carrier, railway, or postal authority, and a damage report should be requested. These instructions must be followed fully for us to guarantee our full support of your claim for protecting against loss from concealed damage. The form required for filing such a claim will be provided by the carrier.

Printed in Germany

Changes without prior notification reserved

Important: keep operating manual for future use

contents

A. Important Notice	4
B. Unpacking	4
C. Installation	4
D. Operation Procedure	6
E. Warning	6
F. Ordering Information	7
G. Ordering Information	8
H. Warranty	8
I. Product Liability	9

A. Important Notice

This instrument is designed for laboratory and clinical usage.

Before setting up and operating the **Bio Suction System** please read these instructions carefully to familiarize with all installation and operation process. Any individual shall be well trained by reading the instructions or by technical people from authorized distributors before operating the instrument.

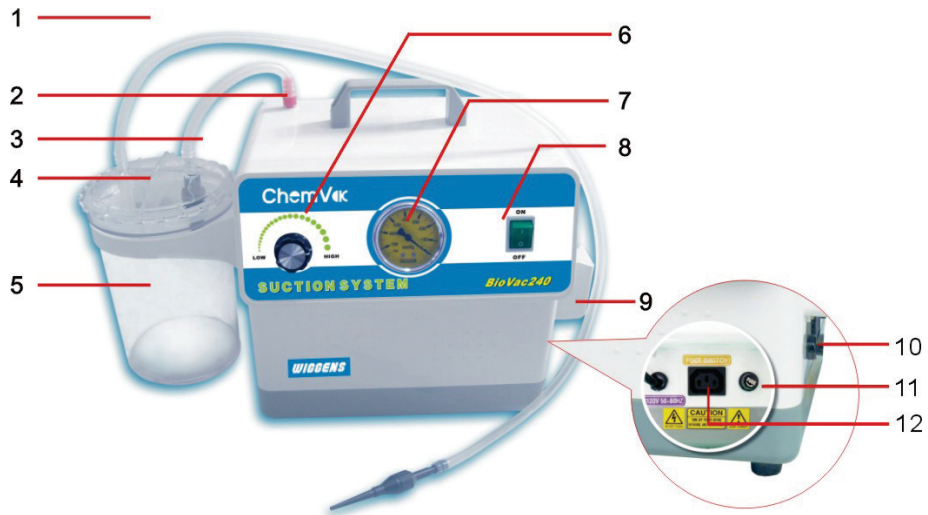
The instrument shall not be modified or altered in any way. Any modification or alteration will void the warranty; void the regulatory certifications and create potential safety hazard. We are not responsible for any injury or damage caused by using the instrument for any non-intended purpose, or modifying the instrument by any person who is not authorized.

B. Unpacking

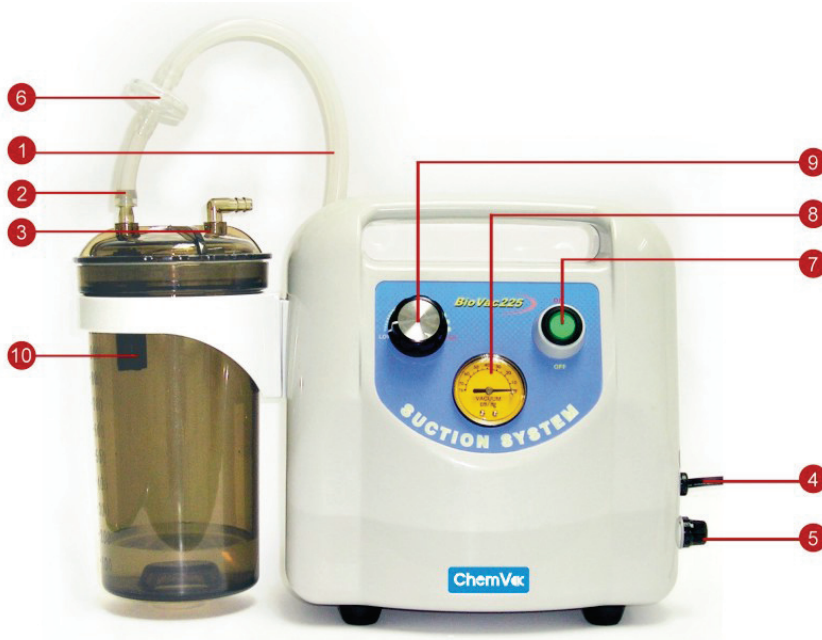
When unpacking, notice if the **Bio Suction System** is in good situation. If not, please contact the distributor or contact us by e-mail: info@chemvak.com immediately for assistance.

C. Installation

1. Check voltage specified on the name plate of the pump housing. Make sure it matches the line voltage in your location.
2. Connect disc filter tube from vacuum inlet of pump to Suction bottle outlet (insert red adapter into vacuum inlet)
3. Connect silicon tube with sampling adaptor and insert into suction bottle inlet.
4. Make sure all the linkages of tubes are tight enough.
5. If you need to operate **BioVac 240** by foot switch, connect foot switch inlet please.



- | | |
|-------------------------|--------------------------------|
| ① Disk Filter | ⑦ Vacuum Pump gauge (76 cm/Hg) |
| ② Vacuum Inlet | ⑧ On/Off Switch |
| ③ Suction bottle Inlet | ⑨ Power cord box |
| ④ Suction bottle outlet | ⑩ Power cord |
| ⑤ 2L Suction bottle | ⑪ Fuse sleeve |
| ⑥ Vacuum Regulator | ⑫ Foot switch inlet |



- | | |
|-------------------------|-----------------------|
| ① Vacuum Pump inlet | ⑥ Disk Filter |
| ② Suction bottle outlet | ⑦ On/Off Switch |
| ③ Silicon tube inlet | ⑧ Vacuum indicator |
| ④ Power Cable | ⑨ Vacuum Regulator |
| ⑤ Fuse Sleeve & Fuse | ⑩ Level float control |

D. Operation Procedure

1. Turn on power on/off switch.
2. Adjust regulator to set vacuum.

E. Warning

1. The Disk Filter should be replaced, when it is polluted by medium.
2. This **Bio Suction System** has a thermal switch that will automatically shuts-off when it becomes overheated or lack of voltage.
3. Please examine the fuse, if **Bio Suction System** is under malfunction; such as indicative light is off always, and pump is not working.
4. Suction bottle should reserve few water for easy cleaning, but do not use any chemical, disinfectant and detergent inside to prevent the leakage of the container.
5. Use the **Bio Suction System** in a dry, clean well-ventilated area; flammable ambient is prohibited.
6. If the supply cord is damaged, it must be replaced by the manufacturer or its service agent or a competent person in order to avoid hazard.

F. Ordering Information

Catalogue No.	Description
167240-11	BioVac 240 Suction system, AC110V/60Hz, Standard includes suction bottle (2000ml).....1 ea disc filter.....2 ea fuse 2 ea silicon tube (100cm)1 ea Single-channel adapter.....1 ea Foot-switch1 ea
167240-22	BioVac 240 Suction system, AC220V/50Hz, Standard includes suction bottle (2000ml).....1 ea disc filter.....2 ea fuse 2 ea silicon tube (100cm)1 ea Single-channel adapter.....1 ea Foot-switch1 ea
167200-31	1000cc suction bottle
167200-32	2000cc suction bottle
167200-33	3000cc suction bottle
167200-36	0.2 µm, φ73mm Disc filter for BioVac240
167200-37	Bio Suction aspiration adapter set
167200-38	Silicone Tube (100 cm)
167200-39	Rack for Bio Suction bottle
167200-40	Foot switch for BioVac240
167200-42	Single channel aspiration adapter

G. Ordering Information

Catalogue No.	Description
167225-11	BioVac 225 Suction system, AC110V/60Hz, Standard includes suction bottle (1000ml).....1 ea disc filter.....2 ea fuse 2 ea silicon tube (100cm)1 ea Single-channel adapter.....1 ea
167225-22	BioVac 225 Suction system, AC220V/50Hz, Standard includes suction bottle (1000ml).....1 ea disc filter.....2 ea fuse 2 ea silicon tube (100cm)1 ea Single-channel adapter.....1 ea
167200-31	1000cc suction bottle
167200-32	2000cc suction bottle
167200-33	3000cc suction bottle
167200-35	0.2 µm, ϕ37mm Disc filter for BioVac225
167200-37	Bio Suction aspiration adapter set
167200-38	Silicone Tube (100 cm)
167200-39	Rack for Bio Suction bottle
167200-42	Single channel aspiration adapter

H. Warranty

We guarantee the perfect functioning of this instrument against defects in material, design, and workmanship, when use under appropriate conditions and in accordance with the instruction manual for a period of **TWO YEARS** from the date of initial shipment.

This warranty covers all parts and components of the instrument except those normally requiring frequent replacement, such as tubing, gasket, O-rings, etc. We will not be liable for any personal injury, improper maintenance, or negligence of accident.

I. Product Liability

Under no circumstances shall Chemvak be liable for indirect, consequential or otherwise special or unrelated damages of any kind.

Chemvak reserves the right to make technical changes without prior notice.

Email: info@chemvak.com

Web Site: www.chemvak.com

Portable Bio-suction System

BioVac 235



English Operating Manual

WIGGENS labortechnik GmbH

Mühsamstrasse 3610249 Berlin Germany

Fon:+49 30 42105470 E-Mail:info@chemvak.com

Fax:+49 30 42105971 Web:www.chemvak.com

ChemVak

Bio-suction System

BioVac 235

Congratulations!

You have made an excellent choice.

WIGGENS wants to thank you for the trust you have placed in us.

This operating manual has been designed to help you gain an understanding of the operation and possible applications of our instruments. For optimal utilization of all functions, we recommend that you thoroughly study this manual prior to beginning any operation.

The WIGGENS Quality Management System



ISO 9001

Certificate Registration No. 01 100084841

Unpacking and Inspection

Unpack the instruments and accessories and inspect them for possible transport damage. Damage should be reported to the responsible carrier, railway, or postal authority, and a damage report should be requested. These instructions must be followed fully for us to guarantee our full support of your claim for protecting against loss from concealed damage. The form required for filing such a claim will be provided by the carrier.

Printed in Germany

Changes without prior notification reserved

Important: keep operating manual for future use

contents

A. Important Notice	4
B. Unpacking	4
C. Installation	4
D. Operation Procedure	6
E. Warning	6
F. Ordering Information	7
G. Exploded View.....	8
H. Warranty.....	10
I. Product Liability.....	10

A. Important Notice

This instrument is designed for laboratory and clinical usage.

Before setting up and operating the **Bio Suction System** please read these instructions carefully to familiarize with all installation and operation process. Any individual shall be well trained by reading the instructions or by technical people from authorized distributors before operating the instrument.

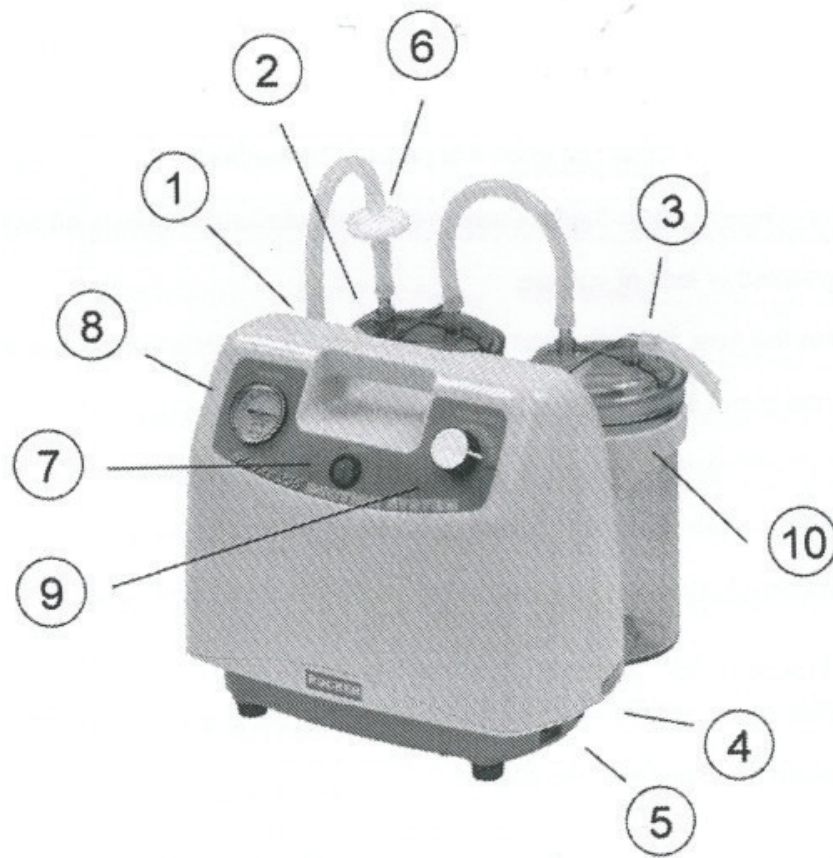
The instrument shall not be modified or altered in any way. Any modification or alteration will void the warranty; void the regulatory certifications and create potential safety hazard. We are not responsible for any injury or damage caused by using the instrument for any non-intended purpose, or modifying the instrument by any person who is not authorized.

B. Unpacking

When unpacking, notice if the **Bio Suction System** is in good situation. If not, please contact the distributor or contact us by e-mail: info@chemvak.com immediately for assistance.

C. Installation

1. Check voltage specified on the name plate of the pump housing. Make sure it matches the line voltage in your location.
2. Connect disc filter tube from vacuum inlet of pump to Suction bottle outlet (insert red adapter into vacuum inlet)
3. Connect silicon tube with sampling adaptor and insert into suction bottle inlet.
4. Make sure all the linkages of tubes are tight enough.



① Vacuum Pump inlet

② Suction bottle outlet

③ Suction tube Inlet

④ Power cable

⑤ Fuse Sleeve & Fuse

⑥ Disk Filter

⑦ On/Off Switch

⑧ Vacuum indicator

⑨ Vacuum Regulator

⑩ Level float control

D. Operation Procedure

1. Turn on power on/off switch.
2. Adjust regulator to set vacuum.

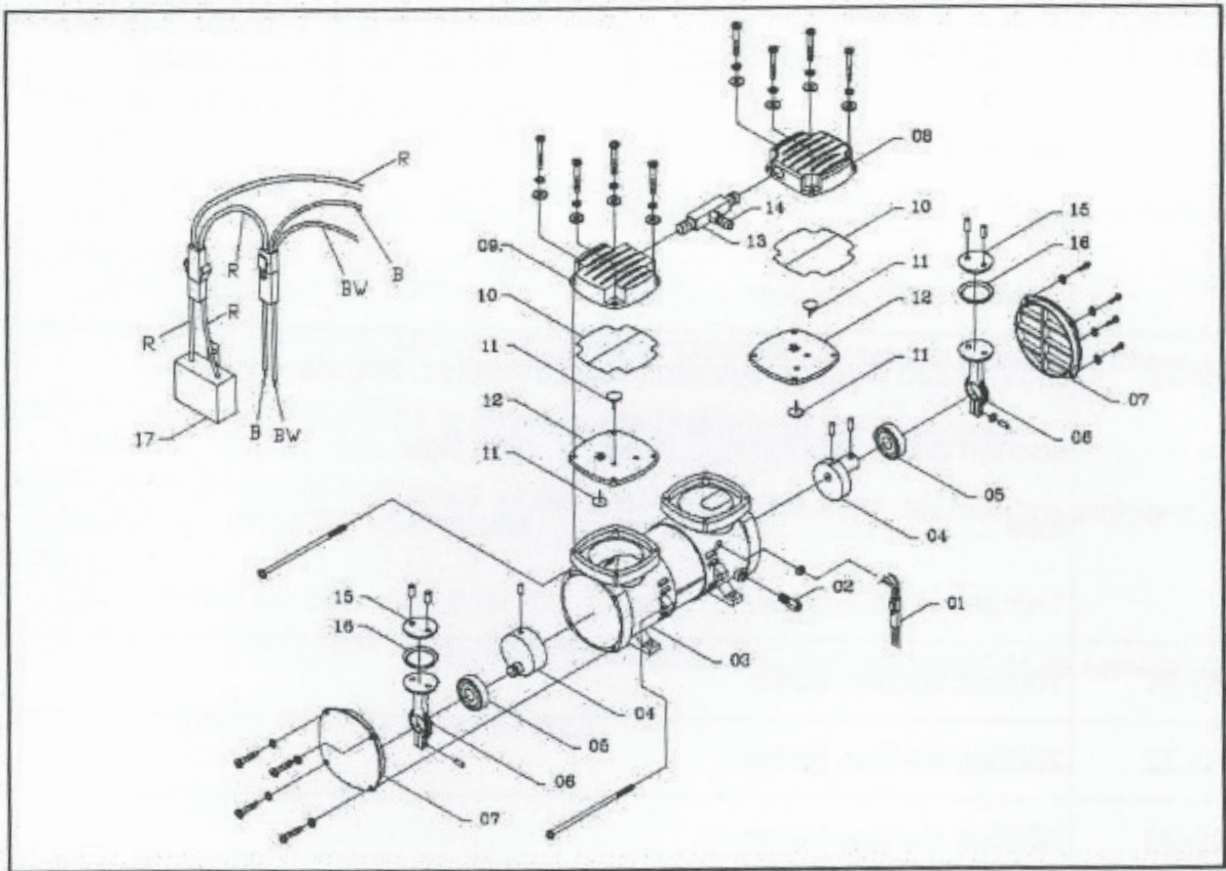
E. Warning

1. The Disk Filter should be replaced, when it is polluted by medium.
2. This **Bio Suction System** has a thermal switch that will automatically shuts-off when it becomes overheated or lack of voltage.
3. Please examine the fuse, if **Bio Suction System** is under malfunction; such as indicative light is off always, and pump is not working.
4. Suction bottle should reserve few water for easy cleaning, but do not use any chemical, disinfectant and detergent inside to prevent the leakage of the container.
5. Use the **Bio Suction System** in a dry, clean well-ventilated area; flammable ambient is prohibited.
6. If the supply cord is damaged, it must be replaced by the manufacturer or its service agent or a competent person in order to avoid hazard.

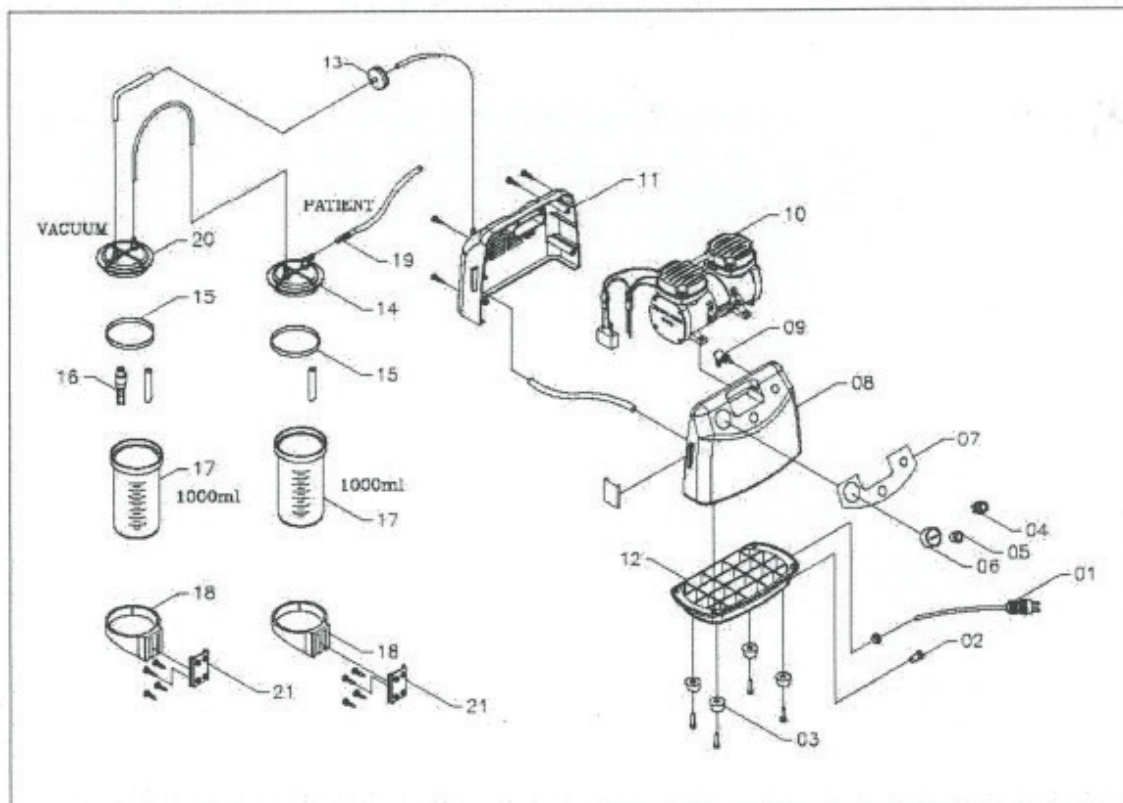
F. Ordering Information

Catalogue No.	Description
167235-11	BioVac 235 Suction system, AC110V/60Hz, Standard includes suction bottle (1000ml).....1 ea disc filter.....2 ea fuse 2 ea silicon tube (200cm).....1 ea 1-channel tip adapter1 ea 1-channel SS adapter(40mm)..1 ea
167235-22	BioVac 235 Suction system, AC220V/50Hz, Standard includes suction bottle (1000ml).....1 ea disc filter.....2 ea fuse 2 ea silicon tube (100cm)1 ea 1 -channel tip adapter.....1 ea 1-channel SS adapter(40mm)..1 ea
167200-31	1000cc suction bottle
167200-32	2000cc suction bottle
167200-33	3000cc suction bottle
167200-35	0.2 µm, ψ73mm Disc filter
199100-46	1-channel tip adapter
199100-47	1-channel SS adapter(40mm
199100-70	Silicone tube (200cm), Φ8-Φ6, for BioDolphin connected to BioVac225/235
199100-00	BioDolphin Suction Kit

G. Exploded View



1	06-019	Electric cord	11	14-022B	Rubber valve
2	16-054	Muffler	12	01-065B	Air cylinder
3	16-053B	Pump main body	13	16-061	Aluminum connecor
4	16-050B	Eccentric bering set	14	16-062	Copper connector
5	05-018	Bearing (608zz)	15	16-060B	Aluminum round pad
6	16-051B	Connecting rod	16	14-010B	Piston ring
7	01-060B	Pump cover	17	08-026	Capacitor (110V.10uf)
8	01-063B	Pump cover(upper right)	17	08-026A	Capacitor (220V.5uf)
9	01-064B	Pump cover(upper left)			
10	14-017B	Oil sealed			



1		Power plug	12	01-072	Outer shell(based)
2	08-024B	Fuse set	13	90-003	Filter(S)
3	14-013B	Plastic Pad	14	01-068	Bottle lid(vertical+curved)
4	09-010	Regulator valve	15	14-025	Bottle sealer
5	09-003A	Switch (green)	16	90-006	Floating control(S)
6	11-008A	Vacuum gauge	17	13-011	Suction bottle 1000c.c
7	17-044	Operation plate	18	01-069	Plastic bottle rack
8	01-070	Outer shell(front)	19	91-025	Suction tube(180CM)
9	09-018	Regulator Valve	20	01-074	Bottle lid(vertical)
10	90-046	Piston pump(110V)	21	01-073	Bottle rack hanger
10	90-046A	Piston pump(220V)	22	92-105	Suction bottle full set includes 13.14.15.16.17(vertical+curved)
11	01-071	Outer shell(back)	23	92-106	Suction bottle full set includes 13.15.16.17.20(vertical)

H. Warranty

We guarantee the perfect functioning of this instrument against defects in material, design, and workmanship, when use under appropriate conditions and in accordance with the instruction manual for a period of **TWO YEARS** from the date of initial shipment.

This warranty covers all parts and components of the instrument except those normally requiring frequent replacement, such as tubing, gasket, O-rings, etc. We will not be liable for any personal injury, improper maintenance, or negligence of accident.

I. Product Liability

Under no circumstances shall Chemvak be liable for indirect, consequential or otherwise special or unrelated damages of any kind.

Chemvak reserves the right to make technical changes without prior notice.

Email: info@chemvak.com

Web Site: www.chemvak.com